

Type: _____

Model: _____

Project: _____

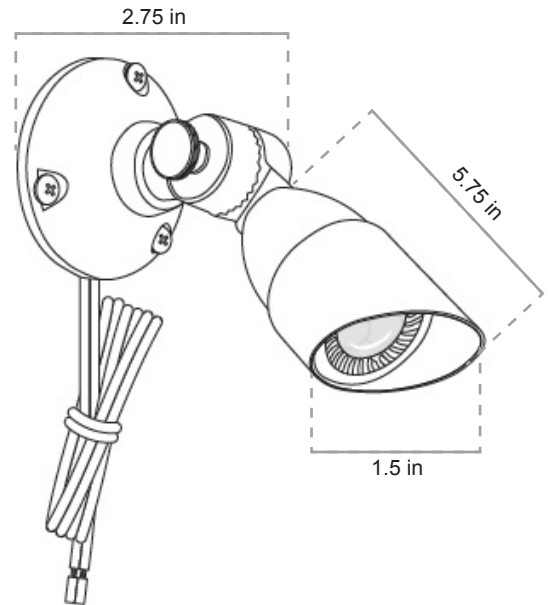
MODEL: DL50 | MR11 DOWN LIGHT

Small down light, round canopy mounting base standard. Easy to conceal downlight with precise aiming can be hidden under eaves, in trees or other overhead locations.

<p>CONSTRUCTION: Die-Casted solid brass housing, shroud and knuckle. CNC brass thumbscrew. 1/2" NPT threading from knuckle to mount.</p> <p>FINISH: Classic aged brass or modern premium black overcoat.</p> <p>SHROUD: Brass shroud with rubber gasket.</p> <p>KNUCKLE: Solid brass with brass thumbscrew for angle adjustments.</p> <p>SOCKET: MR11 bi-pin, spring-loaded, ceramic, dual contacts, & lamp clips.</p>	<p>MOUNTING: Pre-Installed round canopy mounting base (RMB) with three color-matched screws.</p> <p>WIRING: Pre-Installed 18AWG 25' wire lead. Brown wire with aged brass finish, black wire with black overcoat finish.</p> <p>WARRANTY: Lifetime warranty on fixture housing.</p> <p>CERTIFICATIONS: Complies with the requirements of UL-1838 and CAN/CSA-C22.2 No. 250.7. Identified with the ETL & cETL Listed Mark.</p>
---	---

DIMENSIONS

- Knuckle to tip of shroud length: _____ 5.75 inches
- Shroud diameter: _____ 1.5 inches
- Height from base to top of knuckle: _____ 2.75 inches
- Ship Weight: _____ 4.96 lbs



FINISH OPTIONS:

Aged Brass (Standard)
Premium Black Overcoat (Add -BLK)

MR11 LAMP OPTIONS:

ADD SUFFIX	WATTAGE	DELIVERED LUMENS	COLOR TEMP.
-LMR11-LED-4W-F	4	175	2900K

1/2" NPT MOUNTING OPTIONS (SOLD SEPARATELY):

DL-BRACKET	Brass Tree-Mounting Bracket and Brass Nut
TREE-MOUNT	Junction Box Mount



HOW TO SPECIFY: *Example: DL50-BLK-LED*

BASE PART #	FINISH	SUFFIX	ORDERING #	LAMP	ORDERING#	ORDER ACCESSORIES
DL50	Aged Brass (Standard)		DL50	Add Lamp Suffix	DL50-LED	Mounting
	Premium Black Overcoat	-BLK	DL50-BLK		DL50-BLK-LED	