

Type: _____

Model: _____

Project: _____

MODEL: **SL25-BT** | INTEGRATED BT HARDSCAPE LIGHT

Small professional-grade surface mounted step light with integrated color-changing BT module. Classic louvered faceplate is ideal for illuminating steps and walkways while concealing the light source. Designed for installation in existing hardscapes such as stairs and walls, this fixture mounts flush to the surface and does not require or include a mudbox. Wood anchors are provided; for other surfaces, please select appropriate anchors. It is recommended to leave some slack in the wire to facilitate future maintenance.

CONSTRUCTION: Solid cast brass face plate.

FINISH: Classic aged brass or modern premium black overcoat.

LENS: Louvered face plate.

LIGHT SOURCE: Integrated BT module pre-connected to the wire lead.

MOUNTING: Surface-mounted (backless), does not have/require a junction box.

WIRING: Pre-Installed 18AWG 25' wire lead. Brown wire with aged brass finish, black wire with black overcoat.

WARRANTY: 10 year warranty on LED components and fixture housing.

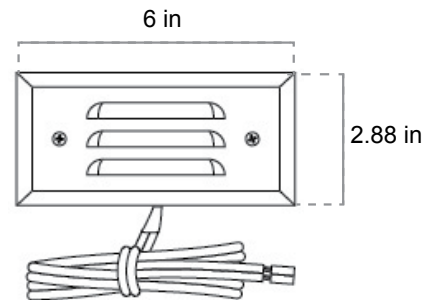
CERTIFICATIONS: Complies with the requirements of UL-1838 and CAN/CSA-C22.2 No. 250.7. Identified with the ETL & cETL Listed Mark.

DIMENSIONS

Diameter: _____ 6 inches

Height: _____ 2.88 inches

Ship Weight: _____ 1.86 lbs



FINISH OPTIONS:

Aged Brass (Standard)
Premium Black Overcoat (Add -BLK)

INTEGRATED RGBW LED BLUETOOTH® MODULE DETAILS:

WATTS:	2W - 4W
OPERATING VOLTAGE:	10VAC - 14VAC
LUMEN OUTPUT:	10lm - 430lm
BEAM SPREAD:	40°
CRI:	Ra>80
CCT OPTIONS:	2700K, 3000K, 4000K
RGBW OPTIONS:	Unlimited color wheel, quick preset options for red, green, blue, amber, and purple
DIMMING:	1% - 100% option available for all colors.



HOW TO SPECIFY: Example: SL25-BT-BLK

BASE PART #	FINISH	SUFFIX	ORDERING#
SL25-BT	Aged Brass (Standard)		SL25-BT
	Premium Black Overcoat	-BLK	SL25-BT-BLK

