

MODEL: WL200 | PAR36 WELL LIGHT

Solid brass ring with flat glass lens cover the ABS composite can. Angle adjustments are made with included retainer ring. Dual wire leads are pre-installed. Ideal for up lighting walls, columns, and walk ways. Installing in areas with high foot traffic is not recommended.

CONSTRUCTION: ABS composite can is flat on open end and angled on ground end for angle adjustments.

FINISH: Classic aged brass or premium black overcoat.

LID: Brass ring, flat clear glass lens.

SOCKET: Spade connectors for PAR36 lamps.

WIRING: Pre-Installed dual 16AWG wire leads, primary 25' wire lead, and optional 18" wire lead for daisy chaining to other fixtures. Brown wire with aged brass finish.

WARRANTY: Lifetime warranty on fixture housing.

CERTIFICATIONS: Complies with the requirements of UL-1838 and CAN/CSA-C22.2 No. 250.7. Identified with the ETL & cETL Listed Mark.

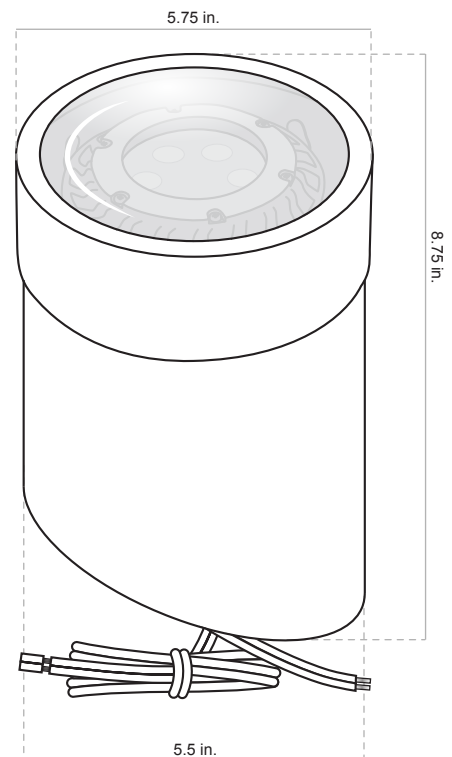
DIMENSIONS:

Lid Diameter _____ 5.75 inches

Buried Fixture Height _____ 8.75 inches

Can Diameter _____ 5.5 inches

Ship Weight _____ 3.31 pounds



FINISH OPTIONS:

Aged Brass (Standard)
Premium Black Overcoat (Add -BLK)

PAR36 LAMP OPTIONS:

ADD SUFFIX	WATTAGE	DELIVERED LUMENS	COLOR TEMP.
-LPAR36-LED-4W-F	4	250	2800K
-LPAR36-LED-4W-WF	4	250	2800K
-LPAR36-LED-8W-F	8	300	2800K
-LPAR36-LED-8W-WF*	8	300	2800K
-LPAR36-LED-10W-F	10	400	2800K
-LPAR36-LED-10W-WF	10	400	2800K
-LPAR36-LED750lm	10	750	2800K

* = standard light source option

PAR36 LAMP ACCESSORIES (SOLD SEPARATELY):

HEXLOUVER-PAR36 – Black aluminum honeycomb used to reduce glare.
PAR36-FROSTED – Flat frosted glass lens used to diffuse light output.

HOW TO SPECIFY: Example: WL200-BLK-LED

FINISH	SUFFIX	ORDERING NUMBER	LAMP	ORDERING NUMBER	ORDER ACCESSORIES
Aged Brass (Standard)		WL200	Add Lamp Suffix	WL200-LED	Hex Louver
Black Overcoat	-BLK	WL200-BLK		WL200-BLK-LED	Lenses

