

MODEL: TIKI | AREA LIGHT HAT WITH TIKI TORCH

Solid brass area light that incorporates a citronella/kerosene reservoir and tiki torch at the top with a brass snuffing cap on a chain. On the bottom, a white interior reflects light output from a G4 bipin lamp to provide ground-level light. Brass collar attaches to hat with 3 brass arms. The ideal way to add a tropical atmosphere and safe passage to outdoor living spaces.

CONSTRUCTION: Die-cast solid brass hat. Metal wick snuffer/protector, metal chain. Braided wick.

FINISH: Classic aged brass or premium black overcoat, with reflective white interior.

COLLAR: Solid brass collar threads onto recommended area light stem ALSTEM60 (sold separately).

MOUNTING: Recommended ALSTEM60 includes the PERMAPOST heavy duty ground stake for stabilization.

WARRANTY: Lifetime warranty on fixture housing.

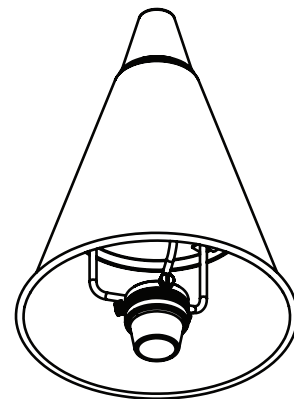
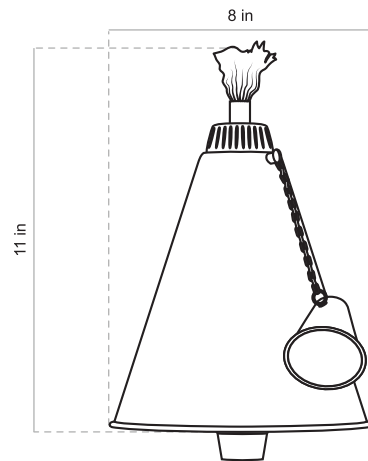
CERTIFICATIONS: Complies with the requirements of UL-1838 and CAN/CSA-C22.2 No. 250.7. Identified with the ETL & cETL Listed Mark.

DIMENSIONS:

Fixture Height _____ 11 inches

Fixture Width _____ 8 inches

Ship Weight _____ 4.05 pounds



FINISH OPTIONS:

Aged Brass (Standard)
Premium Black Overcoat (Add -BLK)

G4 BIPIN LAMP OPTIONS:

ADD SUFFIX	WATTAGE	DELIVERED LUMENS	COLOR TEMP.
-LBIPIN-LED-200lm*	2.5	200	2700K
-LBIPIN-LED-250lm	3	250	2700K
-LBIPIN-LED-350lm	3.5	350	2700K

* = standard light source option

1/2" NPT MOUNTING OPTIONS (SOLD SEPARATELY):

ALSTEM60 – 60" Brass Stem, Heavy Duty Stake Included (PERMAPOST)
PERMAPOST – Heavy Duty Stake with Brass Locking Nut & Stabilizing Fins



Photographed with
ALSTEM60 installed



HOW TO SPECIFY: Example: TIKI-BLK-LED

BASE PART #	FINISH	SUFFIX	ORDERING #	LAMP	ORDERING #
TIKI	Aged Brass (Standard)		TIKI	Add Lamp Suffix	TIKI-LED
	Black Overcoat	-BLK	TIKI-BLK	TIKI-BLK	TIKI-BLK-LED