

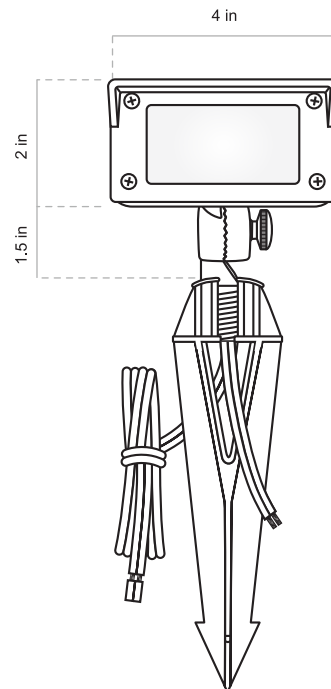
MODEL: FL50-BT | INTEGRATED BT FLOOD LIGHT

Small linear Bluetooth® connected wall wash light. Die-cast fixture uses a solid brass knuckle and thumbscrew to adjust to the ideal angle. Solid brass faceplate includes a polycarbonate lens and is secured with 4 color matched screws. Small plastic slotted stake is provided. Dual wire lead comes pre-connected to the bt module. Integrated module provides tunable white, rgb color changing and dimming capabilities. Ideal for washing walls, planter areas and pathways with a wide flood of light. Not ideal for high foot traffic areas.

<p>CONSTRUCTION: Solid cast brass body and faceplate. CNC brass thumbscrew. 1/2" NPT threading from stem to mount.</p>	<p>MOUNTING: Pre-installed standard 8" plastic ground stake (STAKE-P1). Slotted for easy removal without having to cut the wire lead.</p>
<p>FINISH: Classic aged brass or modern premium black overcoat.</p>	<p>WIRING: Pre-Installed dual 16AWG wire leads, primary 25' wire lead, and optional 18" wire lead for daisy chaining to other fixtures. Brown wire with aged brass finish, black wire with black overcoat.</p>
<p>LENS: Faceplate with clear lens factory-installed.</p>	<p>WARRANTY: 10 year warranty on LED components and fixture housing.</p>
<p>LIGHT SOURCE: Integrated Bluetooth® LED module pre-connected to the lead.</p>	<p>CERTIFICATIONS: Complies with the requirements of UL-1838 and CAN/CSA-C22.2 No. 250.7. Identified with the ETL & cETL Listed Mark.</p>

DIMENSIONS:

- Head Height _____ 2 inches
- Head Width _____ 4 inches
- Head Depth _____ 2.25 inches
- Top of Stake to Knuckle _____ 1.5 inches
- Ship Weight _____ 2.53 pounds



FINISH OPTIONS:

Aged Brass (Standard)
Premium Black Overcoat (Add -BLK)

INTEGRATED RGBW LED BLUETOOTH® MODULE DETAILS:

WATTS: 2W - 6W
OPERATING VOLTAGE: 10 VAC - 14 VAC
LUMEN OUTPUT: 10lm - 350lm
BEAM SPREAD: 120°
CRI: Ra>80
CCT OPTIONS: 2700K, 3000K, 4000K
RGBW OPTIONS: Unlimited color wheel, quick preset options for red, green blue, amber, and purple.
DIMMING: 1% - 100% option available for all colors.



1/2" NPT MOUNTING OPTIONS (SOLD SEPARATELY):

STAKE-P2 – Large Slotted 8.5" Plastic Ground Stake
PERMAPOST – Heavy Duty Stake with Brass Locking Nut & Stabilizing Fins
RMB – Brass Round Mounting Base
RMB-BLK – Black Overcoat Brass Round Mounting Base
RISER6 – 6" Fixed Riser, Aged Brass
RISER12 – 12" Fixed Riser, Aged Brass
RISER18 – 18" Fixed Riser, Aged Brass
RISER6-BLK – 6" Fixed Riser, Premium Black
RISER12-BLK – 12" Fixed Riser, Premium Black
RISER18-BLK – 18" Fixed Riser, Premium Black

HOW TO SPECIFY: Example: FL50-BT-BLK

BASE PART #	FINISH	SUFFIX	ORDERING #	ORDER ACCESSORIES
FL50-BT	Aged Brass (Standard)		FL50-BT	Mounting
	Premium Black Overcoat	-BLK	FL50-BT-BLK	