

MODEL: BL400-BT | INTEGRATED BT ACCENT / UPLIGHT

Large sized solid brass accent/uplight with integrated Bluetooth® RGBW LED module. Includes frosted lens. Lighting module integrates with Alliance's bt System and is controlled with bt System mobile app. Adjustable knuckle is locked with thumbscrew. Ground stake mounting is provided standard. Dual wire leads are factory-installed. Ideal for up lighting tall trees, structures and buildings while being mounted in a planter area. Not intended for downlighting or to be installed in turf areas or areas where there is foot traffic.

CONSTRUCTION: Die-Casted solid brass housing, shroud and knuckle. CNC brass thumbscrew. 1/2" NPT threading from knuckle to mount.

FINISH: Classic aged brass and premium black overcoat.

LENS: Clear glass convex lens

SHROUD: Angled shroud twists and locks onto the housing, pressure locked with o-ring seal.

KNUCKLE: Solid brass with brass thumbscrew for angle adjustments.

MOUNTING: Pre-installed large 8.5" plastic ground stake (STAKE-P2). Slotted for easy removal without having to cut the wire lead.

WIRING: Pre-Installed dual 16AWG wire leads, primary 25' wire lead, and optional 18" wire lead for daisy chaining to other fixtures. Brown wire.

LIGHT SOURCE: Integrated Bluetooth® LED module pre-connected to the wire lead.

WARRANTY: 10 year warranty on LED components and fixture housing.

CERTIFICATIONS: Complies with the requirements of UL-1838 and CAN/CSA-C22.2 No. 250.7. Identified with the ETL & cETL Listed Mark.

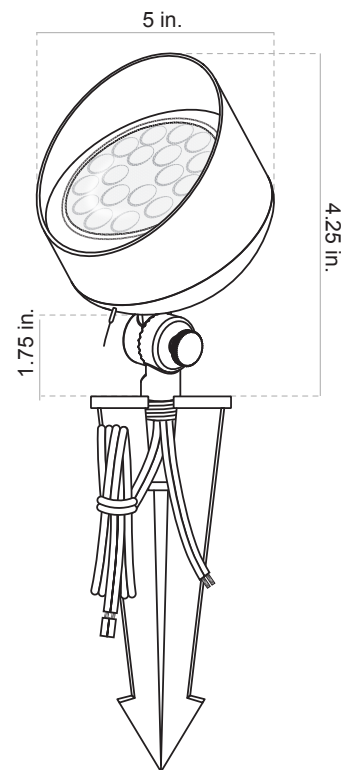
DIMENSIONS:

Height from top of knuckle to tip of shroud _____ 4.25 inches

Height from top of stake to top of knuckle _____ 1.75 inches

Shroud Width _____ 5 inches

Ship Weight _____ 4.24 pounds



FINISH OPTIONS:

Aged Brass (Standard)
Premium Black Overcoat (Add -BLK)

INTEGRATED RGBW LED BLUETOOTH® MODULE DETAILS:

WATTS: 4W - 11W
OPERATING VOLTAGE: 10 VAC - 14 VAC
LUMEN OUTPUT: 15lm - 900lm
BEAM SPREAD: 40°
CRI: Ra>80
CCT OPTIONS: 2700K, 3000K, 4000K
RGBW OPTIONS: Unlimited color wheel, quick preset options for red, green, blue, amber, and purple
DIMMING: 1% - 100% option available for all colors.

1/2" NPT MOUNTING OPTIONS (SOLD SEPARATELY):

STAKE-P3 – Giant Slotted 14" Plastic Ground Stake
PERMAPOST – Heavy Duty Stake with Brass Locking Nut & Stabilizing Fins
RMB – Brass Round Mounting Base
RMB-BLK – Black Overcoat Brass Round Mounting Base
RISER6 – 6" Fixed Riser, Aged Brass
RISER12 – 12" Fixed Riser, Aged Brass
RISER18 – 18" Fixed Riser, Aged Brass
RISER6-BLK – 6" Fixed Riser, Premium Black
RISER12-BLK – 12" Fixed Riser, Premium Black
RISER18-BLK – 18" Fixed Riser, Premium Black

HOW TO SPECIFY: Example: BL400-BT-BLK

BASE PART #	FINISH	SUFFIX	ORDERING #	ORDER ACCESSORIES
BL400-BT	Aged Brass (Standard)		BL400-BT	Mounting
	Black Overcoat	(-BLK)	BL400-BT-BLK	Risers

