

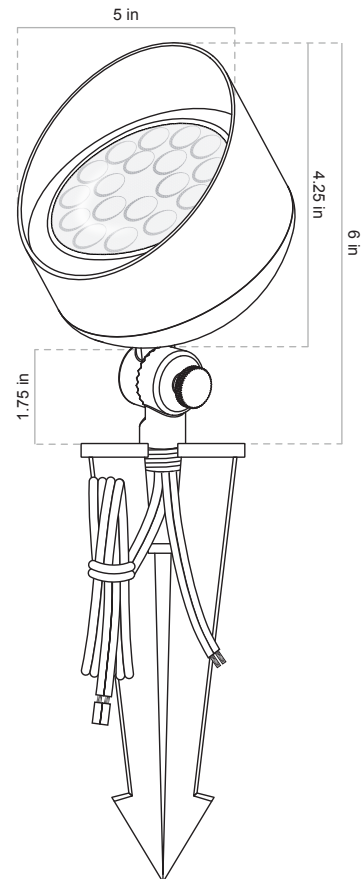
MODEL: BL395-LED | INTEGRATED LED ACCENT / UPLIGHT

Large sized high lumen output solid brass accent/uplight with integrated LED. Includes frosted lens. Adjustable knuckle is locked with thumbscrew. Ground stake mounting is provided standard. Dual wire leads are factory-installed. Ideal for up lighting tall trees, structures and buildings while being mounted in a planter area. Not intended for downlighting or to be installed in turf areas or areas where there is foot traffic.

<p>CONSTRUCTION: Die-Casted solid brass housing, shroud and knuckle. CNC brass thumbscrew. 1/2" NPT threading from knuckle to mount.</p>	<p>LIGHT SOURCE: Integrated LED module pre-connected to the wire lead.</p>
<p>FINISH: Classic aged brass.</p>	<p>WIRING: Pre-Installed dual 16AWG wire leads, primary 25' wire lead, and optional 18" wire lead for daisy chaining to other fixtures. Brown wire.</p>
<p>SHROUD: Angled shroud twists and locks onto the housing, pressure locked with o-ring seal.</p>	<p>WARRANTY: 10 year warranty on LED components and fixture housing.</p>
<p>KNUCKLE: Solid brass with brass thumbscrew for angle adjustments.</p>	<p>CERTIFICATIONS: Complies with the requirements of UL-1838 and CAN/CSA-C22.2 No. 250.7. Identified with the ETL & cETL Listed Mark.</p>
<p>MOUNTING: Pre-installed large 8.5" plastic ground stake (STAKE-P2). Slotted for easy removal without having to cut the wire lead.</p>	

DIMENSIONS:

- Height from top of stake to tip of shroud _____ 6 inches
- Height from top of stake to top of knuckle _____ 1.75 inches
- Height from top of knuckle to tip of shroud _____ 4.25 inches
- Shroud Width _____ 5 inches
- Ship Weight _____ 4.79 pounds



FINISH OPTIONS:

Aged Brass (Standard)
Premium Black Overcoat (Add -BLK)

INTEGRATED LED MODULE DETAILS:

LUMENS: 1200
WATTS: 11W
COLOR: Warm White
COLOR TEMPERATURE: 3000K
OPERATING VOLTAGE: 10 VAC - 14 VAC
BEAM SPREAD: 40°
CRI: Ra>80
RATED HOURS: 30,000 Hours
AMBIENT OPERATING TEMPERATURE: ~40°C ~ +85°C
DIMMING: None



1/2" NPT MOUNTING OPTIONS (SOLD SEPARATELY):

STAKE-P3 – Giant Slotted 14" Plastic Ground Stake
PERMAPOST – Heavy Duty Stake with Brass Locking Nut & Stabilizing Fins
RMB – Brass Round Mounting Base
RMB-BLK – Black Overcoat Brass Round Mounting Base
RISER6 – 6" Fixed Riser, Aged Brass
RISER12 – 12" Fixed Riser, Aged Brass
RISER18 – 18" Fixed Riser, Aged Brass
RISER6-BLK – 6" Fixed Riser, Premium Black
RISER12-BLK – 12" Fixed Riser, Premium Black
RISER18-BLK – 18" Fixed Riser, Premium Black

HOW TO SPECIFY: *Example: BL395-LED-BLK*

BASE PART #	FINISH	SUFFIX	ORDERING #	ORDER ACCESSORIES
BL395-LED	Aged Brass (Standard)		BL395-LED	Mounting
	Black Overcoat	-BLK	BL395-LED-BLK	Risers