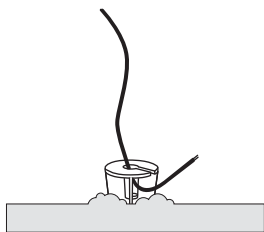
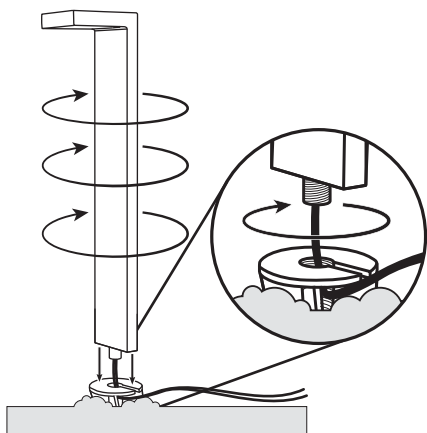


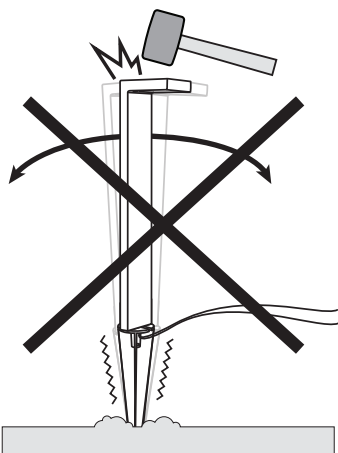
- 1** Pound mounting stake into ground with rubber mallet. Use trenching shovel if needed.



- 2** Run wire through the slotted part of the stake.



- 3** Thread fixture onto stake



**WARNING: DO NOT FORCE THE FIXTURE INTO THE GROUND**

**Included in the Package:**

**A** 1 – PL600-LED



**B** 1 – 14" Giant Plastic Stake



**C** Double Wire Lead (18" & 25') pre-connected #16-2 wire



**Additional Tools and Materials Needed:**

Rubber Mallet



Trenching Shovel



Wire Strippers

