

Type: _____

Model: _____

Project: _____

MODEL: **ML65** | MR8 MINI LIGHT

A discreet integrated LED fixture for fences, deck posts, wood retaining walls and other perimeter lighting applications. Casts light downward onto paved surfaces while also grazing the wall surface.

CONSTRUCTION: Solid brass body.

FINISH: Classic aged brass or modern premium black overcoat.

LENS: Glass lens installed.

INSTALLATION SLEEVE: 1.5" PVC, 5.5" length

WIRING: 10' wire lead, 16 AWG (UL Listed) pre-connected to the fixture, pre-stripped for easy wire connection. Brown wire with aged brass finish, black wire with black overcoat.

WARRANTY: Lifetime warranty on fixture housing.

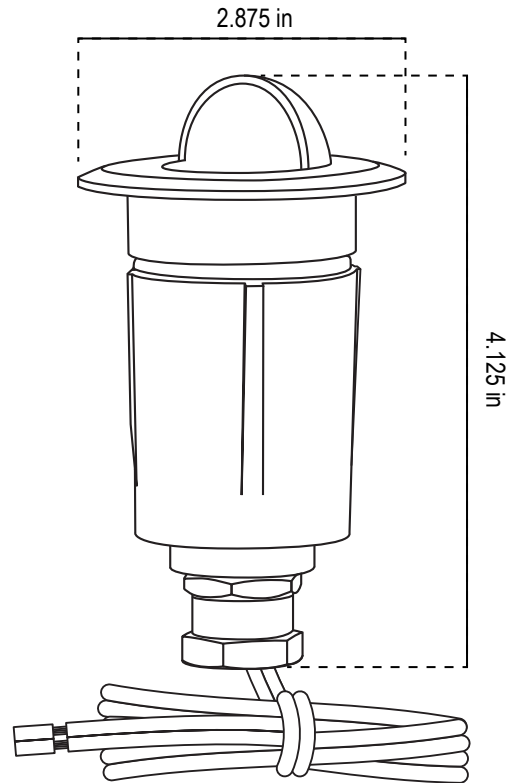
CERTIFICATIONS: Complies with the requirements of UL-1838 and CAN/CSA-C22.2 No. 250.7. Identified with the ETL & cETL Listed Mark.

DIMENSIONS:

Fixture Diameter ————— 2.875 inches

Fixture Depth ————— 4.125 inches

Ship Weight ————— 0.88 pounds



FINISH OPTIONS:

Aged Brass (Standard)
Premium Black Overcoat (Add -BLK)

MR8 MINI LIGHT OPTION:

ADD SUFFIX	WATTAGE	DELIVERED LUMENS	COLOR TEMP.
-LMR8-LED-2W-F*	2	150	2900K

* = Standard light source option

HOW TO SPECIFY: Example: ML65-BLK

BASE PART #	FINISH	SUFFIX	ORDERING #
ML65	Aged Brass (Standard)		ML65
	Premium Black Overcoat	-BLK	ML65-BLK

