

MODEL: ML25-LED | INTEGRATED LED MINI LIGHT

Disc-shaped miniature lighting fixture works as an up-light (conceal within the canopy of compact plants like a Japanese maple or bonsai shrub for dramatic impact), downlight (in soffits, or above an art piece) or can be installed vertically (for step or beacon lighting). Or install horizontally to mark the edge of hardscaped spaces. The possibilities are endless.

CONSTRUCTION: Solid brass body.

FINISH: Classic aged brass or modern premium black overcoat.

LENS: Frosted glass lens installed.

INSTALLATION SLEEVE: 3/4" PVC, 5" length

WIRING: 10' wire lead, 16 AWG (UL Listed) pre-connected to the fixture, pre-stripped for easy wire connection. Brown wire with aged brass finish, black wire with black overcoat.

WARRANTY: 10 year warranty on LED components and fixture housing.

CERTIFICATIONS: Complies with the requirements of UL-1838 and CAN/CSA-C22.2 No. 250.7. Identified with the ETL & cETL Listed Mark.

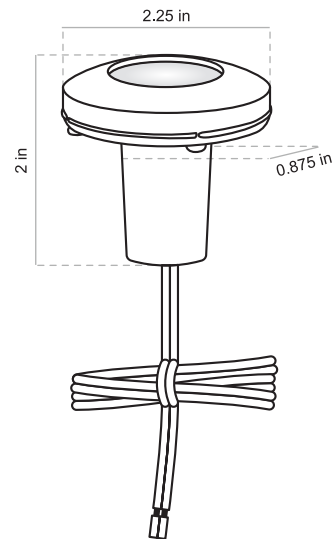
DIMENSIONS:

Top Diameter _____ 2.25 inches

Fixture Height _____ 2 inches

Base Width _____ 0.875 inches

Ship Weight _____ 0.88 pounds



FINISH OPTIONS:

Aged Brass (Standard)
Premium Black Overcoat (Add -BLK)

INTEGRATED LED MODULE DETAILS:

WATTS: 1.2W
COLOR: Soft White
COLOR TEMPERATURE: 2900K
OPERATING VOLTAGE: 10 VAC - 15 VAC
CRI: Ra>80
RATED HOURS: 30,000 Hours
AMBIENT OPERATING TEMPERATURE: ~40°C ~ +85°C
DIMMING: None
LUMENS: 116



HOW TO SPECIFY: *Example: ML25-LED-BLK*

BASE PART #	FINISH	SUFFIX	ORDERING #
ML25-LED	Aged Brass (Standard)		ML25-LED
	Premium Black Overcoat	-BLK	ML25-LED-BLK