

Type: _____

Model: _____

Project: _____

Specification Sheet

MODEL: HSC-BL3-BT | INTEGRATED BT ACCENT / UPLIGHT

Heavy sand cast bronze accent uplight that uses an integrated BT lamp. Includes an adjustable shroud and convex glass lens. Robust knuckle is adjustable and locked with a set screw. Rugged small bronze slotted stake uses a push and lock system with a set screw. Wire lead is factory-installed to the fixture. Lamp is purchased separately. Often applied where client desires a fixture with a thicker, chunkier appearance.

CONSTRUCTION: Heavy sand-cast bronze housing, shroud and knuckle.

FINISH: Natural bronze.

SHROUD & LENS: Rotates 360° on the housing, pressure locked with o-ring seal. Convex tempered, shock-resistant glass lens that reduces calcification is siliconed to the shroud.

KNUCKLE: Sand-cast bronze with set screw for angle adjustments.

MOUNTING: Sand-cast bronze 8.5" slotted ground stake (standard).

WIRING: Pre-Installed 25' wire lead, black.

WARRANTY: Lifetime warranty on fixture housing.

CERTIFICATIONS: Complies with the requirements of UL-1838 and CAN/CSA-C22.2 No. 250.7. Identified with the ETL & cETL Listed Mark.

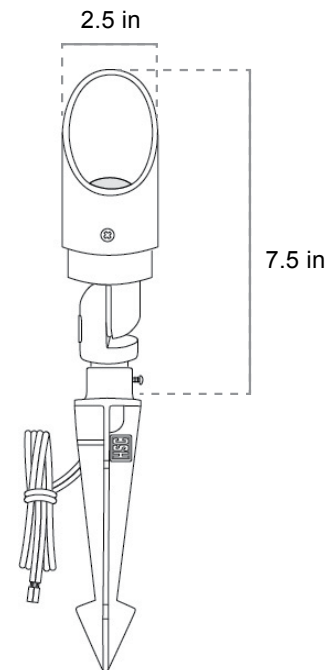
DIMENSIONS

Diameter: _____ 2.5 inches

Height: _____ 7.5 inches

Stake Height: _____ 8.5 inches

Ship Weight: _____ 3.86 lbs



FINISH OPTIONS:

Natural Bronze (Standard)

INTEGRATED RGBW LED BLUETOOTH® MODULE DETAILS:

WATTS:	2W - 4W
OPERATING VOLTAGE:	10VAC - 14VAC
LUMEN OUTPUT:	10lm - 430lm
BEAM SPREAD:	40°
CRI:	Ra>80
CCT OPTIONS:	2700K, 3000K, 4000K
RGBW OPTIONS:	Unlimited color wheel, quick preset options for red, green, blue, amber, and purple
DIMMING:	1% - 100% option available for all colors.

HOW TO SPECIFY: *Example: HSC-BL3-BT*

BASE PART #	FINISH	ORDERING#
HSC-BL3-BT	Natural Bronze (Standard)	HSC-BL3-BT

