

Type: \_\_\_\_\_

Model: \_\_\_\_\_

Project: \_\_\_\_\_

### MODEL: ML55-LED | MINI MARKER LIGHT

A discrete integrated LED fixture for fences, deck posts, wood retaining walls, and other perimeter lighting applications. Serves as a marking light for the surface it is installed into. Brass ring narrows amount of light that shines through for a more discrete appearance.

**CONSTRUCTION:** Brass accent ring, polycarbonate body.

**WIRING:** Preinstalled 10' 18AWG wire

**FINISH:** Classic aged brass or modern premium black overcoat

**WARRANTY:** Lifetime warranty on fixture.

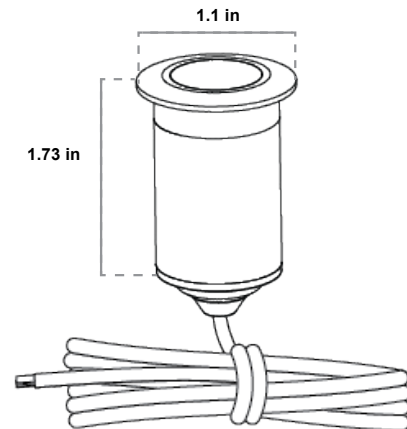
**CERTIFICATIONS:** Complies with the requirements of UL-1838 and CAN/CSA-C22.2 No. 250.7. Identified with the ETL & cETL Listed Mark.

#### DIMENSIONS

Diameter: \_\_\_\_\_ 1.1 inches

Depth: \_\_\_\_\_ 1.73 inches

Ship Weight: \_\_\_\_\_ <0.5 lbs



#### INTEGRATED LED MODULE DETAILS:

<b>WATTS:</b>	0.19W
<b>COLOR:</b>	Soft White
<b>COLOR TEMPERATURE:</b>	2700K
<b>LUMENS:</b>	11.6lm
<b>BEAM ANGLE:</b>	320°
<b>DIMMING:</b>	None

#### FINISH OPTIONS:

<b>Aged Brass (Standard)</b>
<b>Premium Black Overcoat (Add -BLK)</b>

#### HOW TO SPECIFY: *Example: ML55-LED-BLK*

BASE PART #	FINISH	SUFFIX	ORDERING #
ML55-LED	Aged Brass (Standard)		ML55-LED
	Premium Black Overcoat	-BLK	ML55-LED-BLK

