

Type: \_\_\_\_\_

Model: \_\_\_\_\_

Project: \_\_\_\_\_

### MODEL: HSC-PL3 | G4 BIPIN AREA LIGHT

For applications where a path light with a thicker, chunkier appearance is desired, this sand-cast bronze version provides all of the rugged performance of the Alliance line. The top is sand-cast bronze and the stem is thick copper.

**CONSTRUCTION:** Sand-cast bronze hat and collar. Thick copper stem.

**MOUNTING:** Sand-cast bronze 8.5" slotted ground stake (standard).

**FINISH:** Natural bronze.

**WIRING:** Pre-Installed 25' wire lead, black.

**HAT:** Solid Cast Bronze Hat.

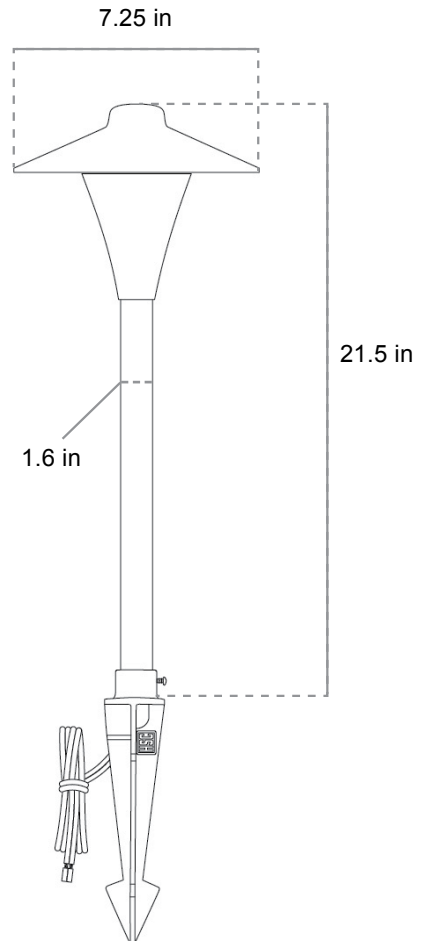
**WARRANTY:** Lifetime warranty on fixture housing.

**SOCKET:** G4 Bi-Pin, spring-loaded, ceramic, with dual contacts.

**CERTIFICATIONS:** Complies with the requirements of UL-1838 and CAN/CSA-C22.2 No. 250.7. Identified with the ETL & cETL Listed Mark.

#### DIMENSIONS

- Hat Diameter: \_\_\_\_\_ 7.25 inches
- Stem Diameter: \_\_\_\_\_ 1.6 inches
- Height: \_\_\_\_\_ 21.5 inches
- Stake Height: \_\_\_\_\_ 8.5 inches
- Ship Weight: \_\_\_\_\_ 3.86 lbs



**FINISH OPTIONS:**

Natural Bronze (Standard)
---------------------------

**G4 BIPIN LAMP OPTIONS:**

ADD SUFFIX	WATTAGE	DELIVERED LUMENS	COLOR TEMP
-LBIPIN-LED-200lm*	2.5	200	2700K
-LBIPIN-LED-250lm	3	250	2700K

\*= standard light source option

**HOW TO SPECIFY:** Example: HSC-PL3-LED

BASE PART #	LAMP	ORDERING#
HSC-PL3	Add Lamp Suffix	HSC-PL3-LED

