

Type: _____

Model: _____

Project: _____

MODEL: HSC-PL2 | G4 BIPIN AREA LIGHT

For applications where a path light with a thicker, chunkier appearance is desired, this sand-cast bronze version provides all of the rugged performance of the Alliance line. The top is sand-cast bronze and the stem is thick copper.

CONSTRUCTION: Sand-cast bronze hat and collar. Thick copper stem.

MOUNTING: Sand-cast bronze 8.5" slotted ground stake (standard).

FINISH: Natural bronze.

WIRING: Pre-Installed 25' wire lead, black.

HAT: Solid Cast Bronze Hat.

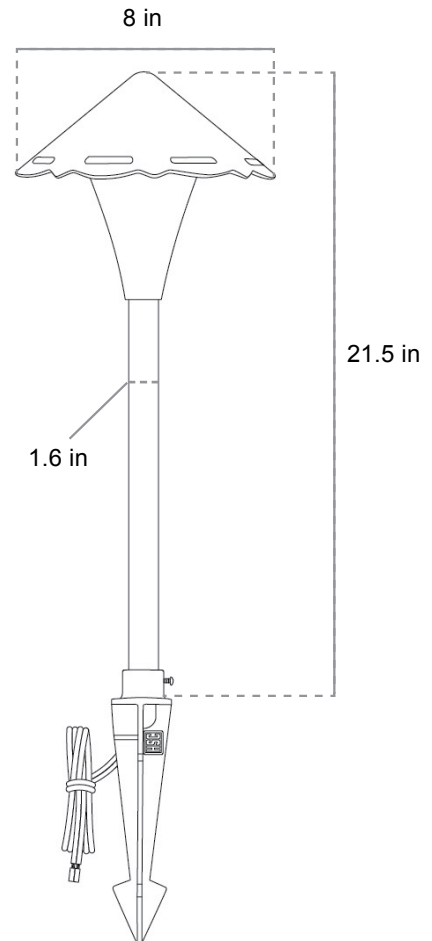
WARRANTY: Lifetime warranty on fixture housing.

SOCKET: G4 Bi-Pin, spring-loaded, ceramic, with dual contacts.

CERTIFICATIONS: Complies with the requirements of UL-1838 and CAN/CSA-C22.2 No. 250.7. Identified with the ETL & cETL Listed Mark.

DIMENSIONS

- Hat Diameter: _____ 8 inches
- Stem Diameter: _____ 1.6 inches
- Height: _____ 21.5 inches
- Stake Height: _____ 8.5 inches
- Ship Weight: _____ 3.86 lbs



FINISH OPTIONS:

Natural Bronze (Standard)

G4 BIPIN LAMP OPTIONS:

ADD SUFFIX	WATTAGE	DELIVERED LUMENS	COLOR TEMP
-LBIPIN-LED-200lm*	2.5	200	2700K
-LBIPIN-LED-250lm	3	250	2700K

*= standard light source option

HOW TO SPECIFY: Example: HSC-PL2-LED

BASE PART #	LAMP	ORDERING#
HSC-PL2	Add Lamp Suffix	HSC-PL2-LED

