

Type: \_\_\_\_\_

Model: \_\_\_\_\_

Project: \_\_\_\_\_

## Specification Sheet

### MODEL: HSC-BL3-BT | INTEGRATED BT ACCENT / UPLIGHT

Heavy sand cast bronze accent upright that uses an integrated BT lamp. Includes an adjustable shroud and convex glass lens. Robust knuckle is adjustable and locked with a set screw. Rugged small bronze slotted stake uses a push and lock system with a set screw. Wire lead is factory-installed to the fixture. Lamp is purchased separately. Often applied where client desires a fixture with a thicker, chunkier appearance.

**CONSTRUCTION:** Heavy sand-cast bronze housing, shroud and knuckle.

**FINISH:** Natural bronze.

**SHROUD & LENS:** Rotates 360° on the housing, pressure locked with o-ring seal. Convex tempered, shock-resistant glass lens that reduces calcification is siliconed to the shroud.

**KNUCKLE:** Sand-cast bronze with set screw for angle adjustments.

**MOUNTING:** Sand-cast bronze 8.5" slotted ground stake (standard).

**WIRING:** Pre-Installed 25' wire lead, black.

**WARRANTY:** Lifetime warranty on fixture housing.

**CERTIFICATIONS:** Complies with the requirements of UL-1838 and CAN/CSA-C22.2 No. 250.7. Identified with the ETL & cETL Listed Mark.

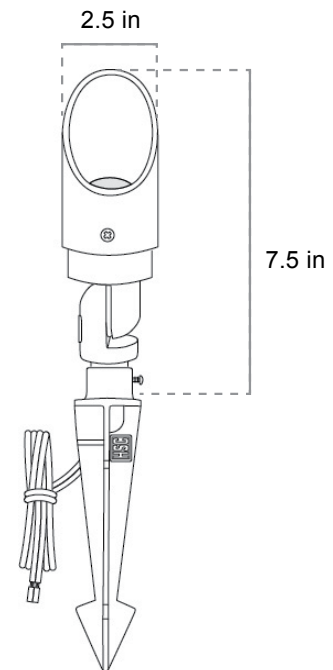
#### DIMENSIONS

Diameter: \_\_\_\_\_ 2.5 inches

Height: \_\_\_\_\_ 7.5 inches

Stake Height: \_\_\_\_\_ 8.5 inches

Ship Weight: \_\_\_\_\_ 3.86 lbs



**FINISH OPTIONS:**

Natural Bronze (Standard)
---------------------------

**INTEGRATED RGBW LED BLUETOOTH® MODULE DETAILS:**

<b>WATTS:</b>	4W - 11W
<b>OPERATING VOLTAGE:</b>	10VAC - 14VAC
<b>LUMEN OUTPUT:</b>	15lm - 900lm
<b>COLOR:</b>	Soft White
<b>BEAM SPREAD:</b>	40°
<b>CRI:</b>	Ra>80
<b>CCT OPTIONS:</b>	2700K, 3000K, 4000K
<b>RGBW OPTIONS:</b>	Unlimited color wheel, quick preset options for red, green, blue, amber, and purple
<b>DIMMING:</b>	None

**HOW TO SPECIFY:** *Example: HSC-BL3-BT*

BASE PART #	FINISH	ORDERING#
HSC-BL3-BT	Natural Bronze (Standard)	HSC-BL3-BT

