

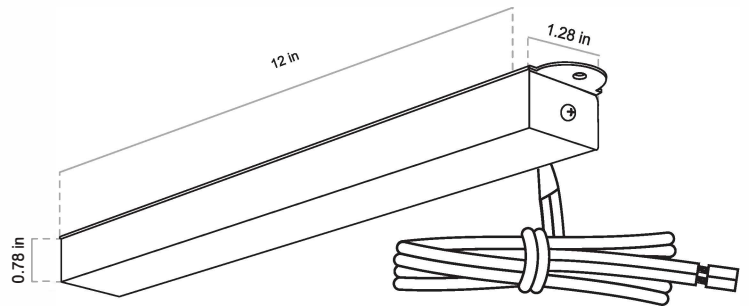
MODEL: SL80-BT | INTEGRATED BT LEDGE LIGHT

Large surface mounted ledge light with integrated Bluetooth® RGBW LED module. This discreet ledge light features an impressively wide output to illuminate taller walls from beneath the wall cap. Designed for installation in existing walls using the mounting ears. Lighting module integrates with Alliance's bt System and is controlled with the Alliance bt app. Wood anchors are provided; for other surfaces, please select appropriate anchors. It is recommended to leave some slack in the wire to facilitate future maintenance.

CONSTRUCTION: Solid cast brass fixture.	WIRING: Pre-Installed 25' wire lead. Brown wire with aged brass finish, black wire with black overcoat.
FINISH: Classic aged brass or modern premium black overcoat.	WARRANTY: 10 year warranty on LED components and fixture housing.
LENS: Frosted polycarbonate lens installed.	CERTIFICATIONS: Complies with the requirements of UL-1838 and CAN/CSA-C22.2 No. 250.7. Identified with the ETL & cETL Listed Mark.
LIGHT SOURCE: Integrated Bluetooth® LED module pre-connected to the lead.	
MOUNTING: Mounting ears on both sides of the fixture for surface mounting.	

DIMENSIONS:

Fixture Width	_____	12 inches
Fixture Depth	_____	1.28 inches
Lamp Housing Height	_____	0.78 inches
Mounting ears	_____	0.75 inches
Ship Weight	_____	3.3 pounds



FINISH OPTIONS:

Aged Brass (Standard)
Premium Black Overcoat (Add -BLK)

INTEGRATED RGBW LED BLUETOOTH® MODULE DETAILS:

WATTS: 1W - 3W
OPERATING VOLTAGE: 10 VAC - 14 VAC
LUMEN OUTPUT: 15lm - 200lm
BEAM SPREAD: 40°
CRI: Ra>80
CCT OPTIONS: 2700K, 3000K, 4000K
RGBW OPTIONS: Unlimited color wheel, quick preset options for red, green blue, amber, and purple
DIMMING: 1% - 100% option available for all colors.

HOW TO SPECIFY: *Example: SL80-BT-BLK*

BASE PART #	FINISH	SUFFIX	ORDERING #
SL80-BT	Aged Brass (Standard)		SL80-BT
	Premium Black Overcoat	-BLK	SL80-BT-BLK

