

MODEL: SL36-LED | INTEGRATED LED STEP LIGHT

Frosted open lens face step light. This fixture mounts flush surface to any surface with no junction box needed or provided. Wood screw anchors provided. Choose other anchors to affix to masonry if desired.

CONSTRUCTION: Solid cast brass face plate.

FINISH: Classic aged brass or modern premium black overcoat.

LENS: Frosted open face plate.

LIGHT SOURCE: Integrated LED module pre-connected to the wire lead.

MOUNTING: Surface-mounted (backless), does not have/require a junction box.

WIRING: Pre-Installed 25' wire lead. Brown wire with aged brass finish, black wire with black overcoat.

WARRANTY: 10 year warranty on LED components and fixture housing.

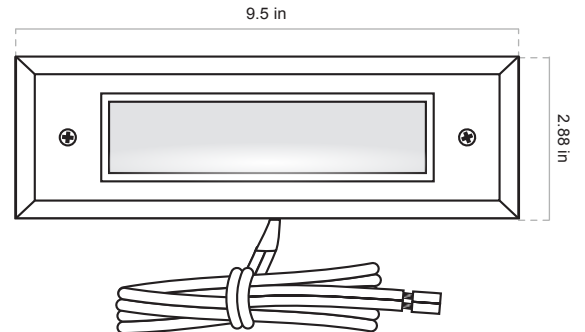
CERTIFICATIONS: Complies with the requirements of UL-1838 and CAN/CSA-C22.2 No. 250.7. Identified with the ETL & cETL Listed Mark.

DIMENSIONS:

Fixture Width _____ 9.5 inches

Fixture Height _____ 2.88 inches

Ship Weight _____ 2.19 pounds



FINISH OPTIONS:

| |
|-----------------------------------|
| Aged Brass (Standard) |
| Premium Black Overcoat (Add -BLK) |

INTEGRATED LED MODULE DETAILS:

| |
|---|
| WATTS: 13W |
| COLOR: Warm White |
| COLOR TEMPERATURE: 2700K |
| OPERATING VOLTAGE: 10 VAC - 15 VAC |
| CRI: Ra>80 |
| RATED HOURS: 30,000 Hours |
| AMBIENT OPERATING TEMPERATURE: ~40°C ~ +85°C |
| DIMMING: None |



HOW TO SPECIFY: *Example: SL36-LED-BLK*

| BASE PART # | FINISH | SUFFIX | ORDERING # |
|-------------|------------------------|--------|--------------|
| SL36-LED | Aged Brass (Standard) | | SL36-LED |
| | Premium Black Overcoat | -BLK | SL36-LED-BLK |