

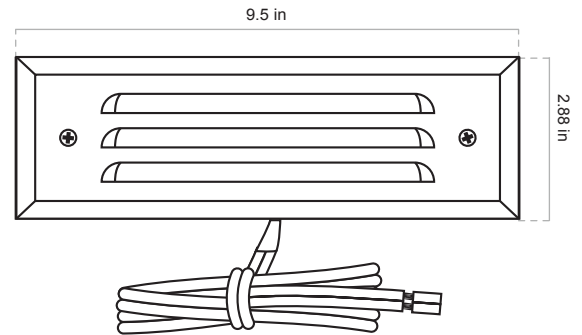
MODEL: SL35-LED | INTEGRATED LED STEP LIGHT

Large professional-grade surface mounted step light. Classic louvered faceplate is ideal for illuminating steps and walkways while concealing the light source. Designed for installation in existing hardscapes such as stairs and walls, this fixture mounts flush with the surface and does not require or include a mudbox. Wood anchors are provided; for other surfaces, please select appropriate anchors. It is recommended to leave some slack in the wire to facilitate future maintenance.

<p>CONSTRUCTION: Solid cast brass face plate.</p> <p>FINISH: Classic aged brass or modern premium black overcoat.</p> <p>LENS: Louvered face plate.</p> <p>LIGHT SOURCE: Integrated LED module pre-connected to the wire lead.</p> <p>MOUNTING: Surface-mounted (backless), does not have/require a junction box.</p>	<p>WIRING: Pre-Installed 25' wire lead. Brown wire with aged brass finish, black wire with black overcoat.</p> <p>WARRANTY: 10 year warranty on LED components and fixture housing.</p> <p>CERTIFICATIONS: Complies with the requirements of UL-1838 and CAN/CSA-C22.2 No. 250.7. Identified with the ETL & cETL Listed Mark.</p>
--	--

DIMENSIONS:

Fixture Width	_____	9.5 inches
Fixture Height	_____	2.88 inches
Ship Weight	_____	2.29 pounds



FINISH OPTIONS:

Aged Brass (Standard)
Premium Black Overcoat (Add -BLK)

INTEGRATED LED MODULE DETAILS:

WATTS: 11W
LUMENS: 1,000LM
COLOR: Warm White
COLOR TEMPERATURE: 2700K
OPERATING VOLTAGE: 10 VAC - 15 VAC
CRI: Ra>80
RATED HOURS: 30,000 Hours
AMBIENT OPERATING TEMPERATURE: ~40°C ~ +85°C
DIMMING: None



HOW TO SPECIFY: *Example: SL35-LED-BLK*

BASE PART #	FINISH	SUFFIX	ORDERING #
SL35-LED	Aged Brass (Standard)		SL35-LED
	Premium Black Overcoat	-BLK	SL35-LED-BLK