

**MODEL: SL100 | G4 BIPIN HARDSCAPE**

Small professional-grade puck light that uses a drop-in G4 lamp. This light fits perfectly on a 4" post, making it perfect for down-lighting decks and stairways. Wood anchors are provided; for other surfaces, please select appropriate anchors.

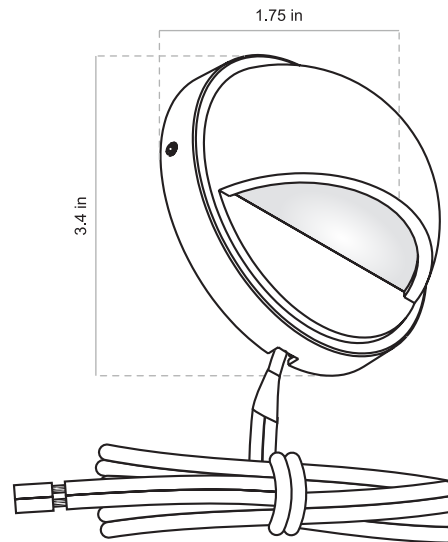
<p><b>CONSTRUCTION:</b> Solid cast brass body and stainless steel base plate.</p> <p><b>FINISH:</b> Classic aged brass or modern premium black overcoat.</p> <p><b>LENS:</b> Frosted polycarbonate lens.</p> <p><b>SOCKET:</b> G4 Bi-Pin, spring-loaded, ceramic, with dual contacts.</p> <p><b>MOUNTING:</b> Concealed mounting base plate and fasteners with adjustable mounting guides. Fixture face attaches to mounting base with inconspicuous allen hex screws.</p>	<p><b>WIRING:</b> Pre-Installed 25' wire lead. Brown wire with aged brass finish, black wire with black overcoat.</p> <p><b>WARRANTY:</b> Lifetime warranty on fixture housing.</p> <p><b>CERTIFICATIONS:</b> Complies with the requirements of UL-1838 and CAN/CSA-C22.2 No. 250.7. Identified with the ETL &amp; cETL Listed Mark.</p>
--	--

**DIMENSIONS:**

Fixture Depth \_\_\_\_\_ 1.75 inches

Fixture Diameter \_\_\_\_\_ 3.4 inches

Ship Weight \_\_\_\_\_ 1.61 pounds



**FINISH OPTIONS:**

Aged Brass (Standard)
Premium Black Overcoat (Add -BLK)

**G4 BIPIN LAMP OPTIONS:**

ADD SUFFIX	WATTAGE	DELIVERED LUMENS	COLOR TEMP.
-LBIPIN-LED-200lm*	2.5	200	2700K
-LBIPIN-LED-250lm	3	250	2700K
-LBIPIN-LED-350lm	3.5	350	2700K

\* = standard light source option



**HOW TO SPECIFY:** Example: SL100-BLK-LED

BASE PART #	FINISH	SUFFIX	ORDERING #	LAMP	ORDERING #
SL100	Aged Brass (Standard)		SL100	Add Lamp Suffix	SL100-LED
	Premium Black Overcoat	-BLK	SL100-BLK		SL100-BLK-LED