

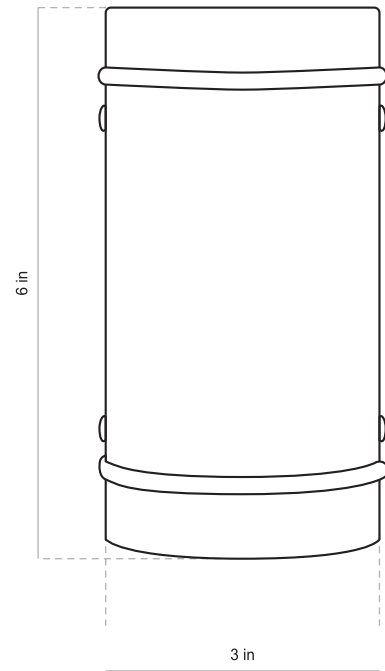
MODEL: WS100 | G4 BIPIN WALL SCONCE LIGHT

Small professional-grade wall sconce light that uses 2 drop-in G4 lamps. Features dual light output from top and bottom to create a decorative glow on exterior walls. Light source is covered by the fixture for maximum glare control. Install at eye-level. Attach to low voltage or can be used to replace line voltage fixtures using a small step-down transformer that fits in the junction box (sold separately).

CONSTRUCTION: Solid cast brass fixture, concealed mounting plate.	WIRING: Pre-Installed 25' wire lead, Brown wire.
FINISH: Classic aged brass.	WARRANTY: Lifetime warranty on fixture housing.
LENS: Frosted polycarbonate lens installed.	CERTIFICATIONS: Complies with the requirements of UL-1838 and CAN/CSA-C22.2 No. 250.7. Identified with the ETL & cETL Listed Mark.
SOCKET: (2) G4 Bi-Pin, spring-loaded, ceramic, with dual contacts.	
MOUNTING: Concealed mounting base plate. Fixture face attaches to mounting base with Phillips screws. Splices are made remotely from fixture, not in base plate.	

DIMENSIONS:

Fixture Height	_____	6 inches
Fixture Width	_____	3 inches
Fixture Depth	_____	2 inches
Ship Weight	_____	1.86 pounds



FINISH OPTIONS:

Aged Brass (Standard)

G4 BIPIN LAMP OPTIONS:

ADD SUFFIX	WATTAGE	DELIVERED LUMENS	COLOR TEMP.
-LBIPIN-LED-200lm*	2.5	200	2700K
-LBIPIN-LED-250lm	3	250	2700K
-LBIPIN-LED-350lm	3.5	350	2700K

*= standard light source option



HOW TO SPECIFY: Example: WS100-LED

BASE PART #	FINISH	SUFFIX	ORDERING #	LAMP	ORDERING #
WS100	Aged Brass (Standard)		WS100	Add Lamp Suffix	WS100-LED