

**MODEL: WL100 | PAR36 WELL LIGHT**

Black ABS grated lid with ABS composite can. PAR36 lamp is purchased separately. Angle adjustments are made with included retainer ring. Dual wire leads are pre-installed. Ideal for up lighting walls, columns, and trees. Installing in grassy areas with foot and light lawn equipment traffic is acceptable.

**CONSTRUCTION:** ABS composite can is flat on open end and angled on ground end for angle adjustments.

**FINISH:** Black plastic.

**LID:** Black ABS grated lid, no lens.

**SOCKET:** Spade connectors for PAR36 lamps.

**WIRING:** Pre-Installed dual 16AWG wire leads, primary 25' wire lead, and optional 18" wire lead for daisy chaining to other fixtures. Brown wire.

**WARRANTY:** Lifetime warranty on fixture housing.

**CERTIFICATIONS:** Complies with the requirements of UL-1838 and CAN/CSA-C22.2 No. 250.7. Identified with the ETL & cETL Listed Mark.

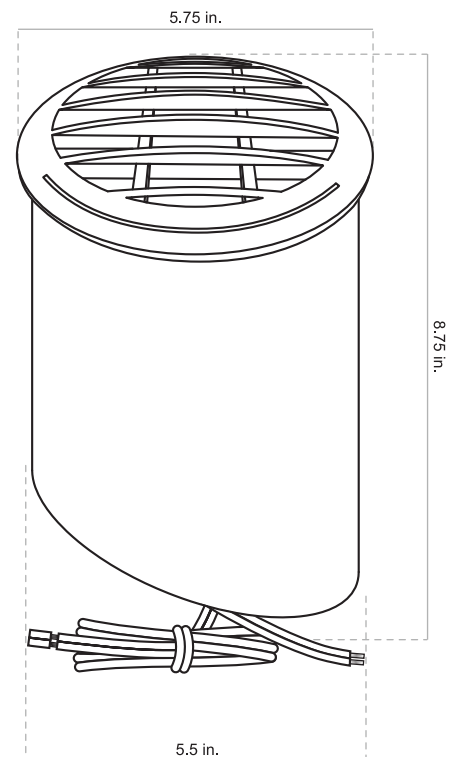
**DIMENSIONS:**

Lid Diameter \_\_\_\_\_ 5.75 inches

Buried Fixture Height \_\_\_\_\_ 8.75 inches

Can Diameter \_\_\_\_\_ 5.5 inches

Ship Weight \_\_\_\_\_ 2.48 pounds



**FINISH OPTIONS:**

**Black Plastic** (Standard)

**PAR36 LAMP OPTIONS:**

ADD SUFFIX	WATTAGE	DELIVERED LUMENS	COLOR TEMP.
-LPAR36-LED-4W-F	4	250	2800K
-LPAR36-LED-4W-WF	4	250	2800K
-LPAR36-LED-8W-F	8	300	2800K
-LPAR36-LED-8W-WF*	8	300	2800K
-LPAR36-LED-10W-F	10	400	2800K
-LPAR36-LED-10W-WF	10	400	2800K
-LPAR36-LED750lm	10	750	2800K

\*= standard light source option

**PAR36 LAMP ACCESSORIES (SOLD SEPARATELY):**

**HEXLOUVER-PAR36** – Black aluminum honeycomb used to reduce glare.  
**PAR36-FROSTED** – Flat frosted glass lens used to diffuse light output.



**HOW TO SPECIFY:** Example: WL100-LED

FINISH	SUFFIX	ORDERING NUMBER	LAMP	ORDERING NUMBER	ORDER ACCESSORIES
Black Plastic (Standard)		WL100	Add Lamp Suffix	WL100-LED	Hex Louver Lenses