

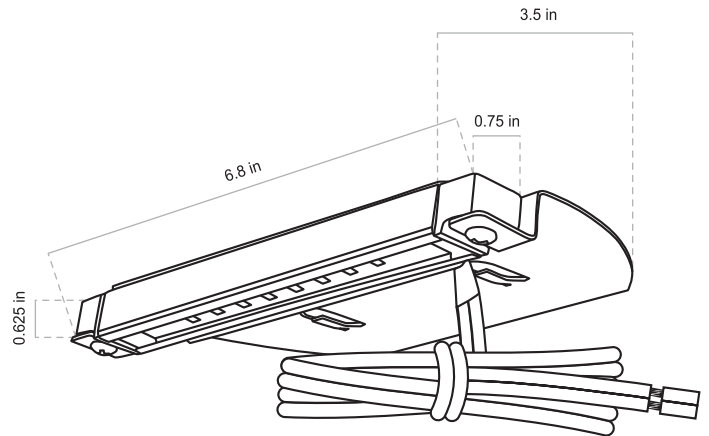
MODEL: SL75-LED | INTEGRATED LED LEDGE LIGHT

Small professional-grade integrated LED ledge light. This discreet ledge light features a wide beam angle, making it perfect for illuminating shorter walls at night while remaining hidden during the day. Designed for installation under caps using the mounting bracket or remove the bracket to surface mount directly to decks or railings. Diffusing accessories are included as optional methods to reduce glare. Wood anchors are provided; for other surfaces, please select appropriate anchors. It is recommended to leave some slack in the wire to facilitate future maintenance.

CONSTRUCTION: Solid cast brass fixture and optional glare shield. Removeable stainless steel mounting plate included.	WIRING: Pre-Installed 10' wire lead. Brown wire with aged brass finish, black wire with black overcoat.
FINISH: Classic aged brass or modern premium black overcoat.	WARRANTY: 10 year warranty on LED components and fixture housing.
LENS: Optional frosted polycarbonate lens included.	CERTIFICATIONS: Complies with the requirements of UL-1838 and CAN/CSA-C22.2 No. 250.7. Identified with the ETL & cETL Listed Mark.
LIGHT SOURCE: Integrated LED module pre-connected to the wire lead.	
MOUNTING: Removeable stainless steel bracket installed.	

DIMENSIONS:

Bracket Width	_____	6.8 inches
Bracket Depth	_____	3.5 inches
LED Housing Height	_____	0.625 inches
LED Housing Depth	_____	0.75 inches
Ship Weight	_____	1.19 pounds



FINISH OPTIONS:

Aged Brass (Standard)
Premium Black Overcoat (Add -BLK)

INTEGRATED LED MODULE DETAILS:

WATTS: 3W
COLOR: Warm White
COLOR TEMPERATURE: 2700K
OPERATING VOLTAGE: 10 VAC - 15 VAC
CRI: Ra>80
RATED HOURS: 30,000 Hours
AMBIENT OPERATING TEMPERATURE: ~40°C ~ +85°C
DIMMING: None



HOW TO SPECIFY: *Example: SL75-LED-BLK*

BASE PART #	FINISH	SUFFIX	ORDERING #
SL75-LED	Aged Brass (Standard)		SL75-LED
	Premium Black Overcoat	-BLK	SL75-LED-BLK