

MODEL: SL70 | G4 BIPIN LEDGE LIGHT

Small ledge light that uses a G4 bipin LED. This discreet ledge light features a wide output to illuminate walls from beneath the wall cap. Designed for installation in new walls using the mounting bracket. It is recommended to leave some slack in the wire to facilitate future maintenance.

CONSTRUCTION: Solid cast brass fixture, integrated mounting plate.

FINISH: Classic aged brass or modern premium black overcoat.

LENS: Frosted polycarbonate lens installed.

SOCKET: G4 Bi-Pin, spring-loaded, ceramic, with dual contacts.

MOUNTING: Integrated mounting plate for easy attachment in masonry walls or under capstones.

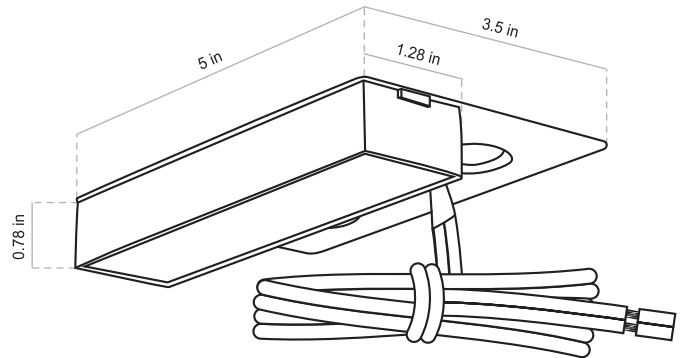
WIRING: Pre-Installed 25' wire lead. Brown wire with aged brass finish, black wire with black overcoat.

WARRANTY: Lifetime warranty on fixture housing.

CERTIFICATIONS: Complies with the requirements of UL-1838 and CAN/CSA-C22.2 No. 250.7. Identified with the ETL & cETL Listed Mark.

DIMENSIONS:

Fixture Width	_____	5 inches
Fixture Depth	_____	3.5 inches
Lamp Housing Height	_____	0.78 inches
Lamp Housing Depth	_____	1.28 inches
Ship Weight	_____	1.77 pounds



FINISH OPTIONS:

Aged Brass (Standard)
Premium Black Overcoat (Add -BLK)

G4 BIPIN LAMP OPTIONS:

ADD SUFFIX	WATTAGE	DELIVERED LUMENS	COLOR TEMP.
-LBIPIN-LED-200lm*	2.5	200	2700K
-LBIPIN-LED-250lm	3	250	2700K
-LBIPIN-LED-350lm	3.5	350	2700K

* = standard light source option



HOW TO SPECIFY: Example: SL70-BLK

BASE PART #	FINISH	SUFFIX	ORDERING #	LAMP	ORDERING #
SL70	Aged Brass (Standard)		SL70	Add Lamp Suffix	SL70-LED
	Premium Black Overcoat	-BLK	SL70-BLK		SL70-BLK-LED