

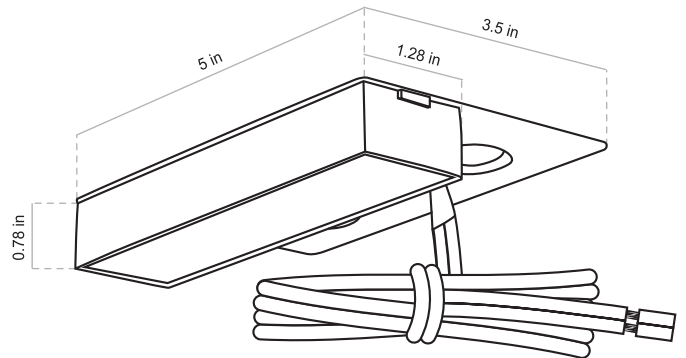
MODEL: SL70-BT | INTEGRATED BT LEDGE LIGHT

Small ledge light with integrated Bluetooth® RGBW LED module. This discreet ledge light features a wide output to illuminate walls from beneath the wall cap. Designed for installation in new walls using the mounting bracket. Lighting module integrates with Alliance's bt System and is controlled with bt System mobile app. It is recommended to leave some slack in the wire to facilitate future maintenance.

CONSTRUCTION: Solid cast brass fixture, integrated mounting plate.	WIRING: Pre-Installed 25' wire lead. Brown wire with aged brass finish, black wire with black overcoat.
FINISH: Classic aged brass or modern premium black overcoat.	WARRANTY: 10 year warranty on LED components and fixture housing.
LENS: Frosted polycarbonate lens installed.	CERTIFICATIONS: Complies with the requirements of UL-1838 and CAN/CSA-C22.2 No. 250.7. Identified with the ETL & cETL Listed Mark.
LIGHT SOURCE: Integrated Bluetooth® LED module pre-connected to the lead.	
MOUNTING: Integrated mounting plate for easy attachment in masonry walls or under capstones.	

DIMENSIONS:

Fixture Width _____	5 inches
Fixture Depth _____	3.5 inches
Lamp Housing Height _____	0.78 inches
Lamp Housing Depth _____	1.28 inches
Ship Weight _____	1.77 pounds



FINISH OPTIONS:

Aged Brass (Standard)
Premium Black Overcoat (Add -BLK)

INTEGRATED RGBW LED BLUETOOTH® MODULE DETAILS:

WATTS: 1W - 3W
OPERATING VOLTAGE: 10 VAC - 14 VAC
LUMEN OUTPUT: 15lm - 200lm
BEAM SPREAD: 40°
CRI: Ra>80
CCT OPTIONS: 2700K, 3000K, 4000K
RGBW OPTIONS: Unlimited color wheel, quick preset options for red, green blue, amber, and purple
DIMMING: 1% - 100% option available for all colors.



HOW TO SPECIFY: Example: SL70-BT-BLK

BASE PART #	FINISH	SUFFIX	ORDERING #
SL70-BT	Aged Brass (Standard)		SL70-BT
	Premium Black Overcoat	-BLK	SL70-BT-BLK