

## MODEL: SL150 | G4 BIPIN HARDSCAPE

Small professional-grade bell shaped light that uses a drop-in G4 lamp. This light offers a distinct shape for aesthetic appeal to match a variety of landscapes from traditional to modern while downlighting decks and stairways. Wood anchors are provided; for other surfaces, please select appropriate anchors.

**CONSTRUCTION:** Solid cast brass body and stainless steel base plate.

**FINISH:** Classic aged brass or modern premium black overcoat.

**SOCKET:** G4 Bi-Pin, spring-loaded, ceramic, with dual contacts.

**MOUNTING:** Concealed mounting base plate and fasteners with adjustable mounting guides. Fixture face attaches to mounting base with inconspicuous allen hex screws.

**WIRING:** Pre-Installed 25' wire lead. Brown wire with aged brass finish, black wire with black overcoat.

**WARRANTY:** Lifetime warranty on fixture housing.

**CERTIFICATIONS:** Complies with the requirements of UL-1838 and CAN/CSA-C22.2 No. 250.7. Identified with the ETL & cETL Listed Mark.

### DIMENSIONS:

Top of Fixture Width \_\_\_\_\_ 1.25 inches

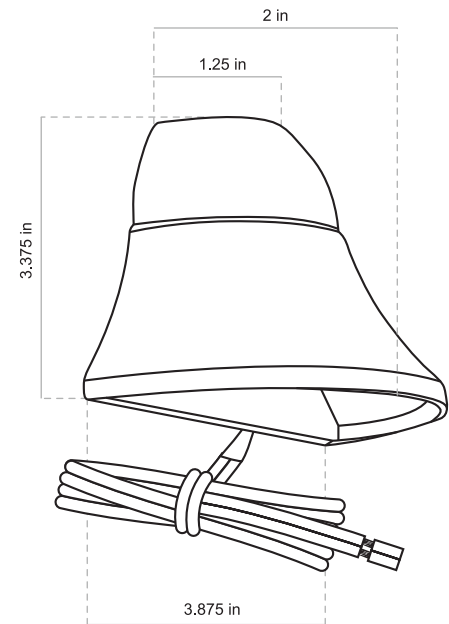
Middle of Fixture Width \_\_\_\_\_ 2.25 inches

Fixture Width \_\_\_\_\_ 3.875 inches

Fixture Height \_\_\_\_\_ 3.375 inches

Fixture Depth \_\_\_\_\_ 2 inches

Ship Weight \_\_\_\_\_ 1.52 pounds



**FINISH OPTIONS:**

Aged Brass (Standard)
Premium Black Overcoat (Add -BLK)

**G4 BIPIN LAMP OPTIONS:**

ADD SUFFIX	WATTAGE	DELIVERED LUMENS	COLOR TEMP.
-LBIPIN-LED-200lm*	2.5	200	2700K
-LBIPIN-LED-250lm	3	250	2700K
-LBIPIN-LED-350lm	3.5	350	2700K

\* = standard light source option



**HOW TO SPECIFY:** Example: SL150-BLK-LED

BASE PART #	FINISH	SUFFIX	ORDERING #	LAMP	ORDERING #
SL150	Aged Brass (Standard)		SL150	Add Lamp Suffix	SL150-LED
	Premium Black Overcoat	-BLK	SL150-BLK		SL150-BLK-LED