

MODEL: SL100 | G4 BIPIN HARDSCAPE

Small professional-grade puck light that uses a drop-in G4 lamp. This light fits perfectly on a 4" post, making it perfect for down-lighting decks and stairways. Wood anchors are provided; for other surfaces, please select appropriate anchors.

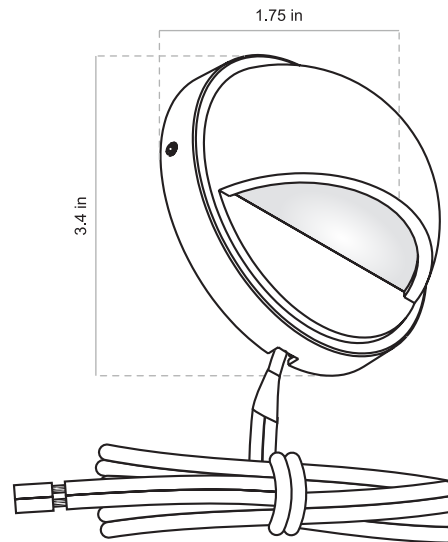
CONSTRUCTION: Solid cast brass body and stainless steel base plate.	WIRING: Pre-Installed 25' wire lead. Brown wire with aged brass finish, black wire with black overcoat.
FINISH: Classic aged brass or modern premium black overcoat.	WARRANTY: Lifetime warranty on fixture housing.
LENS: Frosted polycarbonate lens.	CERTIFICATIONS: Complies with the requirements of UL-1838 and CAN/CSA-C22.2 No. 250.7. Identified with the ETL & cETL Listed Mark.
SOCKET: G4 Bi-Pin, spring-loaded, ceramic, with dual contacts.	
MOUNTING: Concealed mounting base plate and fasteners with adjustable mounting guides. Fixture face attaches to mounting base with inconspicuous allen hex screws.	

DIMENSIONS:

Fixture Depth _____ 1.75 inches

Fixture Diameter _____ 3.4 inches

Ship Weight _____ 1.61 pounds



FINISH OPTIONS:

Aged Brass (Standard)
Premium Black Overcoat (Add -BLK)

G4 BIPIN LAMP OPTIONS:

ADD SUFFIX	WATTAGE	DELIVERED LUMENS	COLOR TEMP.
-LBIPIN-LED-200lm*	2.5	200	2700K
-LBIPIN-LED-250lm	3	250	2700K
-LBIPIN-LED-350lm	3.5	350	2700K

* = standard light source option



HOW TO SPECIFY: Example: SL100-BLK-LED

BASE PART #	FINISH	SUFFIX	ORDERING #	LAMP	ORDERING #
SL100	Aged Brass (Standard)		SL100	Add Lamp Suffix	SL100-LED
	Premium Black Overcoat	-BLK	SL100-BLK		SL100-BLK-LED