

MODEL: GL370-BT | INTEGRATED BT IN-GROUND LIGHT

Medium non-corrosive in-ground light with integrated Bluetooth® RGBW LED module. Brass top with opposing sides output provides balanced illumination on both sides of the fixture, ideal for contrasting areas such as walkways on one side and grassy areas on the other. Lighting module integrates with Alliance's bt System and is controlled with bt System mobile app. Core-drill for placement into hardscapes or dig a small hole into softscapes. Not intended to be submerged or placed in wet areas. Ok for foot traffic, but not suitable for areas where they may be driven over by vehicles.

CONSTRUCTION: Non-corrosive poly housing base. Solid brass top with stainless steel screws.

FINISH: Classic aged brass or modern premium black overcoat.

LID: Opposing sides output brass lid with clear glass lens. Attached with 5 color-matched stainless steel screws.

LIGHT SOURCE: Integrated Bluetooth® LED module pre-connected to the lead.

WIRING: Pre-Installed 60" 16AWG SVT wire lead, black.

WARRANTY: 10 year warranty on LED components and fixture housing.

CERTIFICATIONS: Complies with the requirements of UL-1838 and CAN/CSA-C22.2 No. 250.7. Identified with the ETL & cETL Listed Mark.

DIMENSIONS:

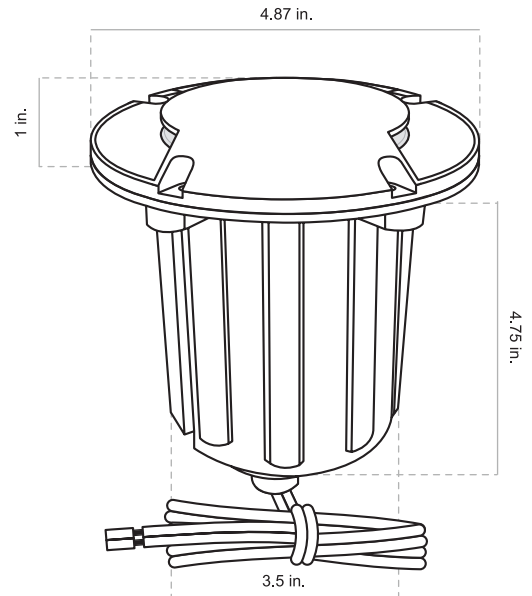
Lid Diameter _____ 4.87 inches

Lid Height _____ 1 inch

Base Diameter _____ 3.5 inches

Base Height _____ 4.75 inches

Ship Weight _____ 2.74 pounds



FINISH OPTIONS:

Aged Brass (Standard)
Premium Black Overcoat (Add <i>-BLK</i>)

INTEGRATED RGBW LED BLUETOOTH® MODULE DETAILS:

WATTS: 2W - 6W
OPERATING VOLTAGE: 10 VAC - 14 VAC
LUMEN OUTPUT: 15lm - 450lm
BEAM SPREAD: 40°
CRI: Ra>80
CCT OPTIONS: 2700K, 3000K, 4000K
RGBW OPTIONS: Unlimited color wheel, quick preset options for red, green blue, amber, and purple.
DIMMING: 1% - 100% option available for all colors.

HOW TO SPECIFY: *Example: GL370-BT-BLK*

BASE PART #	FINISH	SUFFIX	ORDERING #
GL370-BT	Aged Brass (Standard)		GL370-BT
	Premium Black Overcoat	-BLK	GL370-BT-BLK

