

MODEL: GL360 | MR16 IN-GROUND LIGHT

Medium non-corrosive in-ground light. MR16 lamp purchased separately. Grated convex lens is ideal for diffused wall washing and directional uplighting. Socket is mounted on a swivel for aiming light beam. Core-drill for placement into hardscapes or dig a small hole into softscapes. Not intended to be submerged or placed in wet areas. Ok for foot traffic, but not suitable for areas where they may be driven over by vehicles.

CONSTRUCTION: Non-corrosive poly housing base. Solid brass top with stainless steel screws.

FINISH: Classic aged brass or modern premium black overcoat.

LID: Grated top brass lid with clear glass lens. Attached with 5 color-matched stainless steel screws.

SOCKET: MR16, spring-loaded, ceramic, dual contacts, & lamp clips.

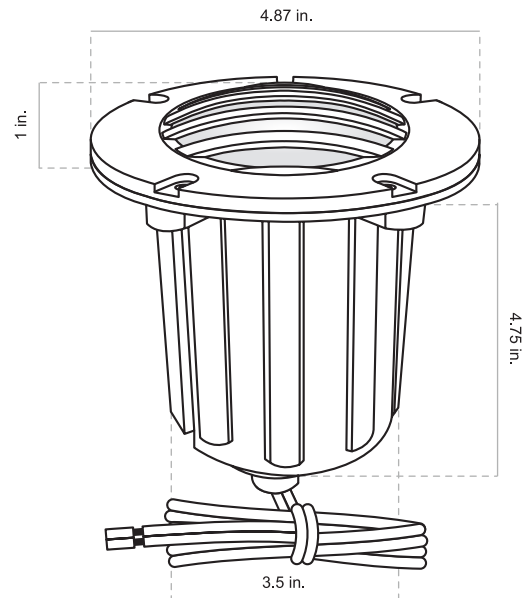
WIRING: Pre-Installed 60" 16AWG SVT wire lead, black.

WARRANTY: Lifetime warranty on fixture housing.

CERTIFICATIONS: Complies with the requirements of UL-1838 and CAN/CSA-C22.2 No. 250.7. Identified with the ETL & cETL Listed Mark.

DIMENSIONS:

Lid Diameter	_____	4.87 inches
Lid Height	_____	1 inch
Base Diameter	_____	3.5 inches
Base Height	_____	4.75 inches
Ship Weight	_____	2.13 pounds



FINISH OPTIONS:

Aged Brass (Standard)
Premium Black Overcoat (Add <i>-BLK</i>)

MR16 LAMP OPTIONS:

ADD SUFFIX	WATTAGE	DELIVERED LUMENS	COLOR TEMP.
-LMR16-LED-4W-NS	4	250	2900K
-LMR16-LED-4W-F	4	250	2900K
-LMR16-LED-4W-WF	4	250	2900K
-LMR16-LED-4W-250lm	4	250	2900K
-LMR16-LED-4W-2700K	4	250	2700K
-LMR16-LED-5W-NS	5	310	2900K
-LMR16-LED-5W-F*	5	310	2900K
-LMR16-LED-5W-WF	5	310	2900K
-LMR16-LED-5W-310lm	5	310	2900K
-LMR16-LED-5W-2700K	5	310	2700K
-LMR16-LED-6W-F	6	410	2900K
-LMR16-LED-6W-2700K	6	410	2700K

* = standard light source option

HOW TO SPECIFY: Example: *GL360-BLK-LED*

FINISH	SUFFIX	ORDERING NUMBER	LAMP	ORDERING NUMBER
Aged Brass (Standard)		GL360	Add Lamp Suffix	GL360-LED
Premium Black Overcoat	-BLK	GL360-BLK		GL360-BLK-LED

