

**MODEL: GL300 | MR16 IN-GROUND LIGHT**

Medium non-corrosive in-ground light. MR16 lamp purchased separately. Open convex lens ideal for wall washing and directional uplighting. Socket is mounted on a swivel for aiming light beam. Core-drill for placement into hardscapes or dig a small hole into softscapes. Not intended to be submerged or placed in wet areas. Ok for foot traffic, but not suitable for areas where they may be driven over by vehicles.

**CONSTRUCTION:** Non-corrosive poly housing base. Solid brass top with stainless steel screws.

**WIRING:** Pre-Installed 60" 16AWG SVT wire lead, black.

**FINISH:** Classic aged brass or modern premium black overcoat.

**WARRANTY:** Lifetime warranty on fixture housing.

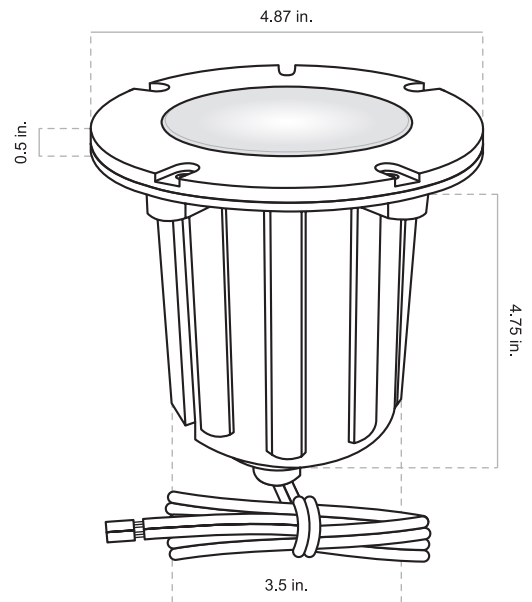
**LID:** Cast brass, with clear glass lens. Attached with 5 color-matched stainless steel screws.

**CERTIFICATIONS:** Complies with the requirements of UL-1838 and CAN/CSA-C22.2 No. 250.7. Identified with the ETL & cETL Listed Mark.

**SOCKET:** MR16, spring-loaded, ceramic, dual contacts, & lamp clips.

**DIMENSIONS:**

Lid Diameter	_____	4.87 inches
Lid Height	_____	0.5 inches
Base Diameter	_____	3.5 inches
Base Height	_____	4.75 inches
Ship Weight	_____	2.26 pounds



**FINISH OPTIONS:**

Aged Brass (Standard)
Premium Black Overcoat (Add <i>-BLK</i> )

**MR16 LAMP OPTIONS:**

ADD SUFFIX	WATTAGE	DELIVERED LUMENS	COLOR TEMP.
-LMR16-LED-4W-NS	4	250	2900K
-LMR16-LED-4W-F	4	250	2900K
-LMR16-LED-4W-WF	4	250	2900K
-LMR16-LED-4W-250lm	4	250	2900K
-LMR16-LED-4W-2700K	4	250	2700K
-LMR16-LED-5W-NS	5	310	2900K
-LMR16-LED-5W-F*	5	310	2900K
-LMR16-LED-5W-WF	5	310	2900K
-LMR16-LED-5W-310lm	5	310	2900K
-LMR16-LED-5W-2700K	5	310	2700K
-LMR16-LED-6W-F	6	410	2900K
-LMR16-LED-6W-2700K	6	410	2700K

\* = standard light source option

**HOW TO SPECIFY:** Example: *GL300-BLK-LED*

FINISH	SUFFIX	ORDERING NUMBER	LAMP	ORDERING NUMBER
Aged Brass (Standard)		GL300	Add Lamp Suffix	GL300-LED
Premium Black Overcoat	-BLK	GL300-BLK		GL300-BLK-LED

