

**MODEL: UL100 | MR16 UNDERWATER LIGHT**

Underwater light with MR16 lamp base. Brass faceplate with clear tempered glass lens secure to the base with rubber gasket and 4 stainless steel screws. 25' underwater wire lead is factory-installed. Solid brass base is mounted to water feature floor, provides angle adjustments with polycarbonate thumbscrews. Ideal for lighting water features, waterfalls, cascades or multi-tier fountains.

**CONSTRUCTION:** Die-cast solid brass housing, faceplate and mounting base.

**FINISH:** Classic aged brass.

**FACEPLATE:** Solid brass ring with a clear flat lens, rubber gasket and 4 stainless steel screws.

**SOCKET:** MR16, spring-loaded, ceramic, dual contacts, with lamp clips.

**MOUNTING:** Solid brass mounting base adjusts and secures housing using dual thumbscrews.

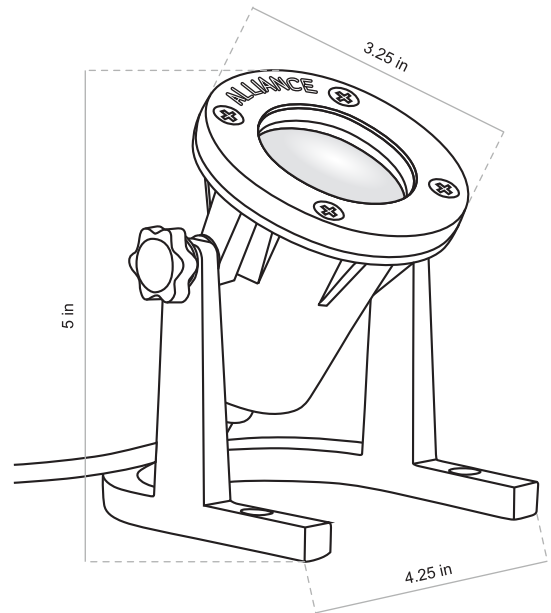
**WIRING:** Pre-Installed black 25' SJOW underwater wire lead.

**WARRANTY:** Lifetime warranty on fixture housing.

**CERTIFICATIONS:** Complies with the requirements of UL-1838 and CAN/CSA-C22.2 No. 250.7. Identified with the ETL & cETL Listed Mark.

**DIMENSIONS:**

- Top Diameter \_\_\_\_\_ 3.25 inches
- Base Width \_\_\_\_\_ 4.25 inches
- Fixture Height \_\_\_\_\_ 5 inches
- Ship Weight \_\_\_\_\_ 3.87 pounds



**FINISH OPTIONS:**

Aged Brass (Standard)
-----------------------

**MR16 LAMP OPTIONS:**

ADD SUFFIX	WATTAGE	DELIVERED LUMENS	COLOR TEMP.
-LMR16-LED-4W-NS	4	250	2900K
-LMR16-LED-4W-F	4	250	2900K
-LMR16-LED-4W-WF	4	250	2900K
-LMR16-LED-4W-250lm	4	250	2900K
-LMR16-LED-4W-2700K	4	250	2700K
-LMR16-LED-5W-NS	5	310	2900K
-LMR16-LED-5W-F*	5	310	2900K
-LMR16-LED-5W-WF	5	310	2900K
-LMR16-LED-5W-310lm	5	310	2900K
-LMR16-LED-5W-2700K	5	310	2700K
-LMR16-LED-6W-F	6	410	2900K
-LMR16-LED-6W-2700K	6	410	2700K

\* = standard light source option

**HOW TO SPECIFY:** Example: UL100-LED

BASE PART #	FINISH	SUFFIX	ORDERING #	LAMP	ORDERING #
UL100	Aged Brass (Standard)		UL100	Add Lamp Suffix	UL100-LED

