

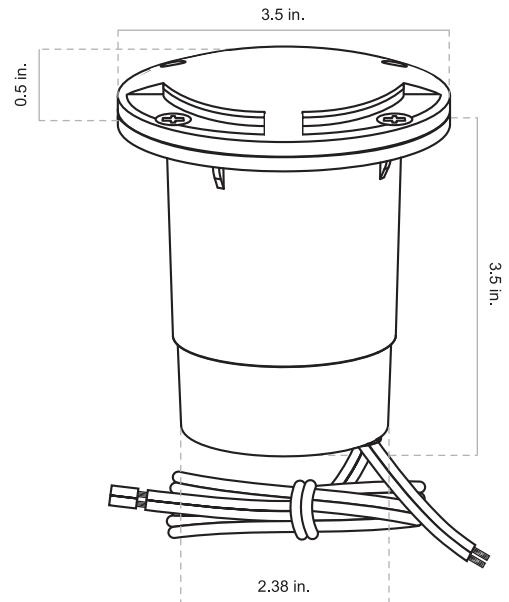
MODEL: GL180 | MR16 IN-GROUND LIGHT

Small professional-grade in-ground light. MR16 lamp purchased separately. Brass top with 180° output is ideal for highlighting specific landscape features without spilling light into unwanted areas. PVC sleeve included for stabilizing into the ground. Core-drill for placement into hardscapes or dig a small hole into softscapes. Not intended to be submerged or placed in wet areas. Ok for foot traffic, but not suitable for areas where they may be driven over by vehicles.

<p>CONSTRUCTION: Cast brass housing base. Solid brass top with stainless steel screws.</p>	<p>MOUNTING: Optional 2.75" PVC installation sleeve included.</p>
<p>FINISH: Classic aged brass or modern premium black overcoat.</p>	<p>WIRING: Pre-Installed dual 16AWG wire leads, primary 25' wire lead, and optional 18" wire lead for daisy chaining to other fixtures. Brown wire with aged brass finish, black wire with black overcoat.</p>
<p>LID: 180° output brass lid with clear flat glass lens. Attached with 4 color-matched stainless steel screws.</p>	<p>WARRANTY: Lifetime warranty on fixture housing.</p>
<p>SOCKET: MR16, spring-loaded, ceramic, dual contacts, & lamp clips.</p>	<p>CERTIFICATIONS: Complies with the requirements of UL-1838 and CAN/CSA-C22.2 No. 250.7. Identified with the ETL & cETL Listed Mark.</p>

DIMENSIONS:

Lid Diameter	_____	3.5 inches
Lid Height	_____	0.5 inches
Base Diameter	_____	2.38 inches
Base Height	_____	3.5 inches
Ship Weight	_____	2.88 pounds



FINISH OPTIONS:

Aged Brass (Standard)
Premium Black Overcoat (Add <i>-BLK</i>)

MR16 LAMP OPTIONS:

ADD SUFFIX	WATTAGE	DELIVERED LUMENS	COLOR TEMP.
-LMR16-LED-4W-NS	4	250	2900K
-LMR16-LED-4W-F	4	250	2900K
-LMR16-LED-4W-WF	4	250	2900K
-LMR16-LED-4W-250lm	4	250	2900K
-LMR16-LED-4W-2700K	4	250	2700K
-LMR16-LED-5W-NS	5	310	2900K
-LMR16-LED-5W-F*	5	310	2900K
-LMR16-LED-5W-WF	5	310	2900K
-LMR16-LED-5W-310lm	5	310	2900K
-LMR16-LED-5W-2700K	5	310	2700K
-LMR16-LED-6W-F	6	410	2900K
-LMR16-LED-6W-2700K	6	410	2700K

* = standard light source option

HOW TO SPECIFY: Example: *GL180-BLK-LED*

FINISH	SUFFIX	ORDERING NUMBER	LAMP	ORDERING NUMBER
Aged Brass (Standard)		<i>GL180</i>	Add Lamp Suffix	<i>GL180-LED</i>
Premium Black Overcoat	<i>-BLK</i>	<i>GL180-BLK</i>		<i>GL180-BLK-LED</i>

