

MODEL: DL50 | MR11 DOWN LIGHT

Small down light, round canopy mounting base standard. Easy to conceal downlight with precise aiming can be hidden under eaves, in trees or other overhead locations.

CONSTRUCTION: Die-Casted solid brass fixture. CNC brass thumbscrew. 1/2" NPT threading from stem to mount.

FINISH: Classic aged brass.

SHROUD: Brass shroud with rubber gasket.

SOCKET: MR11 bi-pin, spring-loaded, ceramic, dual contacts, & lamp clips.

MOUNTING: Pre-Installed round canopy mounting base (RMB) with three color-matched screws.

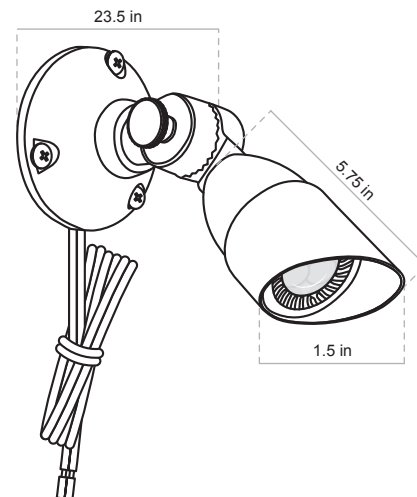
WIRING: Pre-Installed 25' wire lead. Brown wire.

WARRANTY: Lifetime warranty on fixture housing.

CERTIFICATIONS: Complies with the requirements of UL-1838 and CAN/CSA-C22.2 No. 250.7. Identified with the ETL & cETL Listed Mark.

DIMENSIONS:

Knuckle to Tip of Shroud Length	_____	5.75 inches
Shroud Diameter	_____	1.5 inches
Base of Mounting to Knuckle	_____	2.75 inches
Ship Weight	_____	4.96 pounds



FINISH OPTIONS:

Aged Brass (Standard)

MR11 LAMP OPTION:

ADD SUFFIX	WATTAGE	DELIVERED LUMENS	COLOR TEMP.
-LMR11-LED-4W-F*	4	175	2900K

* = standard light source option

1/2" NPT MOUNTING OPTIONS (SOLD SEPARATELY):

DL-BRACKET – Brass Tree-Mounting Bracket and Brass Nut
TREEMOUNT – Aluminum, Black Overcoat, Junction Box Mount



HOW TO SPECIFY: Example: DL50-LED

BASE PART #	FINISH	SUFFIX	ORDERING #	LAMP	ORDERING #	ORDER ACCESSORIES
DL50	Aged Brass (Standard)		DL50	Add Lamp Suffix	DL50-LED	Mounting