

**MODEL: DL200 | MR16 DOWN LIGHT**

Large down light available with a wide-range of LED lamps. Tree mounting bracket standard. Easy to conceal downlight with precise aiming can be hidden under eaves, in trees or other overhead locations.

**CONSTRUCTION:** Die-Casted solid brass fixture. CNC brass thumbscrew. 1/2" NPT threading from stem to mount.

**FINISH:** Classic aged brass, premium black overcoat.

**SHROUD:** Brass shroud with rubber gasket.

**MOUNTING:** Pre-Installed brass tree-mounting bracket and brass nut. Stainless steel color-matched screws with adjustable stand-offs included.

**SOCKET:** MR16, spring-loaded, ceramic, dual contacts, & lamp clips.

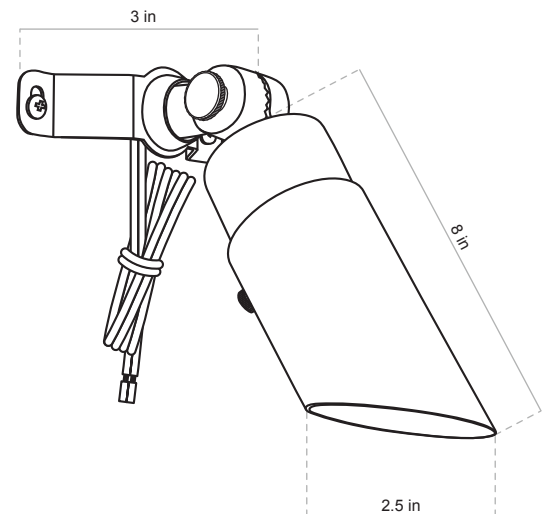
**WIRING:** Pre-Installed 25' wire lead. Brown wire with aged brass finish, black wire with black overcoat.

**WARRANTY:** Lifetime warranty on fixture housing.

**CERTIFICATIONS:** Complies with the requirements of UL-1838 and CAN/CSA-C22.2 No. 250.7. Identified with the ETL & cETL Listed Mark.

**DIMENSIONS:**

Knuckle to Tip of Shroud Length	_____	8 inches
Shroud Diameter	_____	2.5 inches
Base of Bracket to Knuckle	_____	3 inches
Bracket Width	_____	4.5 inches
Ship Weight	_____	2.53 pounds



**FINISH OPTIONS:**

Aged Brass (Standard)
Premium Black Overcoat (Add -BLK)

**MR16 LAMP OPTIONS:**

ADD SUFFIX	WATTAGE	DELIVERED LUMENS	COLOR TEMP.
-LMR16-LED-4W-250lm	4	250	2900K
-LMR16-LED-5W-310lm*	5	310	2900K
-LMR16-LED-6W-F	6	410	2900K
-LMR16-LED-6W-2700K	6	410	2700K

\* = standard light source option

**1/2" NPT MOUNTING OPTIONS (SOLD SEPARATELY):**

<b>RMB</b> – Brass Round Mounting Base
<b>TREEMOUNT</b> – Aluminum, Black Overcoat, Junction Box Mount

**MR16 LAMP ACCESSORIES (SOLD SEPARATELY):**

<b>HEXLOUVER-MR16</b> – Black aluminum honeycomb used to reduce glare.
--

**HOW TO SPECIFY:** Example: DL200-BLK-LED

BASE PART #	FINISH	SUFFIX	ORDERING #	LAMP	ORDERING #	ORDER ACCESSORIES
DL200	Aged Brass (Standard)		DL200	Add Lamp Suffix	DL200-LED	Mounting
	Premium Black Overcoat	-BLK	DL200-BLK		DL200-BLK-LED	Hex Louver

