

MODEL: DL200-BT | INTEGRATED BT DOWN LIGHT

Large down light with Bluetooth® RGBW LED module. Lighting module integrates with Alliance's bt System and is controlled with bt System mobile app. Tree mounting bracket standard. Easy to conceal downlight with precise aiming can be hidden under eaves, in trees or other overhead locations.

CONSTRUCTION: Die-Casted solid brass fixture. CNC brass thumbscrew. 1/2" NPT threading from stem to mount.

FINISH: Classic aged brass or modern premium black overcoat.

SHROUD: Brass shroud with rubber gasket.

MOUNTING: Pre-Installed brass tree-mounting bracket and brass nut. Stainless steel color-matched screws with adjustable stand-offs included.

LIGHT SOURCE: Integrated Bluetooth® LED module pre-connected to the lead.

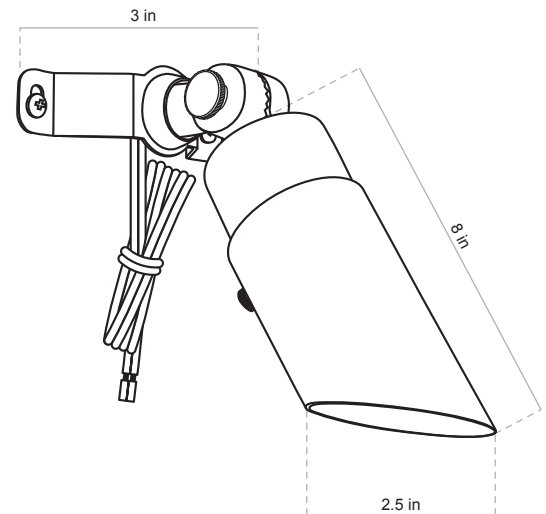
WIRING: Pre-Installed 25' wire lead. Brown wire.

WARRANTY: 10 year warranty on LED components and fixture housing.

CERTIFICATIONS: Complies with the requirements of UL-1838 and CAN/CSA-C22.2 No. 250.7. Identified with the ETL & cETL Listed Mark.

DIMENSIONS:

- Knuckle to Tip of Shroud Length _____ 8 inches
- Shroud Diameter _____ 2.5 inches
- Base of Bracket to Knuckle _____ 3 inches
- Bracket Width _____ 4.5 inches
- Ship Weight _____ 2.88 pounds



FINISH OPTIONS:

Aged Brass (Standard)
Premium Black Overcoat (Add -BLK)

INTEGRATED RGBW LED BLUETOOTH® MODULE DETAILS:

WATTS: 2W - 4W
OPERATING VOLTAGE: 10 VAC - 14 VAC
LUMEN OUTPUT: 10lm - 430lm
BEAM SPREAD: 40°
CRI: Ra>80
CCT OPTIONS: 2700K, 3000K, 4000K
RGBW OPTIONS: Unlimited color wheel, quick preset options for red, green blue, amber, and purple
DIMMING: 1% - 100% option available for all colors.



1/2" NPT MOUNTING OPTIONS (SOLD SEPARATELY):

RMB – Brass Round Mounting Base
TREEMOUNT – Aluminum, Black Overcoat, Junction Box Mount

HOW TO SPECIFY: Example: DL200-BT

BASE PART #	FINISH	SUFFIX	ORDERING #	ORDER ACCESSORIES
DL200-BT	Aged Brass (Standard)		DL200-BT	Mounting