

MODEL: DL100 | MR16 DOWN LIGHT

Mid-sized down light available with a wide-range of LED lamps. Tree mounting bracket standard. Easy to conceal downlight with precise aiming can be hidden under eaves, in trees or other overhead locations.

CONSTRUCTION: Die-Casted solid brass fixture. CNC brass thumbscrew. 1/2" NPT threading from stem to mount.

FINISH: Classic aged brass.

SHROUD: Brass shroud with rubber gasket.

MOUNTING: Pre-Installed brass tree-mounting bracket and brass nut. Stainless steel color-matched screws with adjustable stand-offs included.

SOCKET: MR16, spring-loaded, ceramic, dual contacts, & lamp clips.

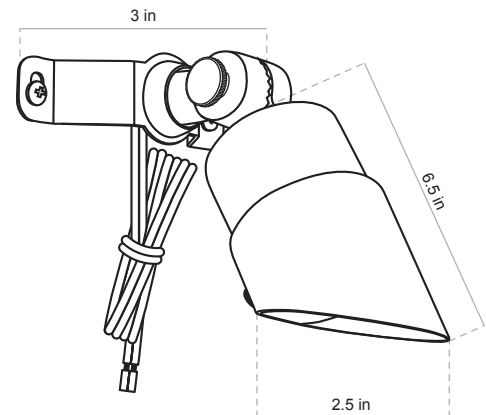
WIRING: Pre-Installed 25' wire lead. Brown wire.

WARRANTY: Lifetime warranty on fixture housing.

CERTIFICATIONS: Complies with the requirements of UL-1838 and CAN/CSA-C22.2 No. 250.7. Identified with the ETL & cETL Listed Mark.

DIMENSIONS:

Knuckle to Tip of Shroud Length	_____	6.5 inches
Shroud Diameter	_____	2.5 inches
Base of Bracket to Knuckle	_____	3 inches
Bracket Width	_____	4.5 inches
Ship Weight	_____	2.26 pounds



FINISH OPTIONS:

Aged Brass (Standard)

MR16 LAMP OPTIONS:

ADD SUFFIX	WATTAGE	DELIVERED LUMENS	COLOR TEMP.
-LMR16-LED-4W-250lm	4	250	2900K
-LMR16-LED-5W-310lm*	5	310	2900K
-LMR16-LED-6W-F	6	410	2900K
-LMR16-LED-6W-2700K	6	410	2700K

*= standard light source option

1/2" NPT MOUNTING OPTIONS (SOLD SEPARATELY):

RMB – Brass Round Mounting Base
 TREEMOUNT – Aluminum, Black Overcoat, Junction Box Mount



HOW TO SPECIFY: Example: DL100-LED

BASE PART #	FINISH	SUFFIX	ORDERING #	LAMP	ORDERING #	ORDER ACCESSORIES
DL100	Aged Brass (Standard)		DL100	Add Lamp Suffix	DL100-LED	Mounting