

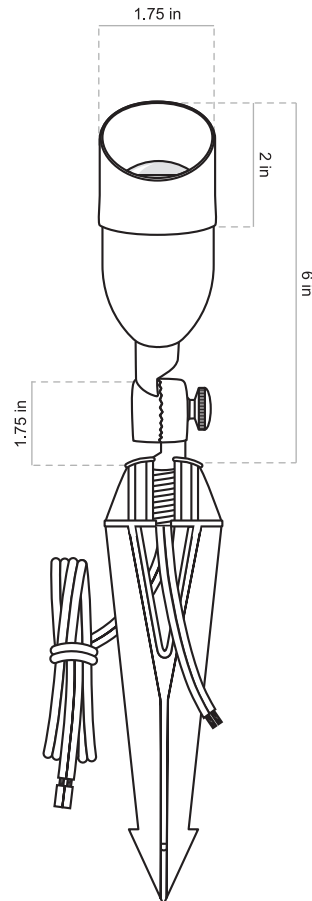
MODEL: BL50 | MR11 ACCENT / UPLIGHT

Extra small solid brass accent/uplight that uses an MR11 lamp. Includes adjustable shroud for glare control and convex glass lens. Adjustable knuckle is locked with thumbscrew. Ground stake mounting is provided standard. Dual wire leads are factory-installed. Lamp purchased separately. Ideal for up lighting potted plants, columns, and walls. Not intended to be used as a downlight or installed directly into turf areas with lawn-mower or foot traffic.

<p>CONSTRUCTION: Die-Casted solid brass housing, shroud and knuckle. CNC brass thumbscrew. 1/2" NPT threading from knuckle to mount.</p> <p>FINISH: Classic aged brass.</p> <p>SHROUD & LENS: Rotates 360° on the housing, pressure locked with o-ring seal. Convex tempered, shock-resistant glass lens that reduces calcification is siliconed to the shroud.</p> <p>KNUCKLE: Solid brass with brass thumbscrew for angle adjustments.</p> <p>MOUNTING: Pre-installed standard 8" plastic ground stake (STAKE-P1). Slotted for easy removal without having to cut the wire lead.</p>	<p>WIRING: Pre-Installed dual 16AWG wire leads, primary 25' wire lead, and optional 18" wire lead for daisy chaining to other fixtures. Brown wire with aged brass finish.</p> <p>SOCKET: MR16, spring-loaded, ceramic, dual contacts, & lamp clips.</p> <p>WARRANTY: Lifetime warranty on fixture housing.</p> <p>CERTIFICATIONS: Complies with the requirements of UL-1838 and CAN/CSA-C22.2 No. 250.7. Identified with the ETL & cETL Listed Mark.</p>
---	---

DIMENSIONS:

- Height from top of stake to tip of shroud _____ 6 inches
- Height from top of stake to top of knuckle _____ 1.75 inches
- Shroud Width _____ 1.75 inches
- Shroud Height _____ 2 inches
- Ship Weight _____ 2 pounds



FINISH OPTIONS:

Aged Brass (Standard)

MR11 LAMP OPTION:

ADD SUFFIX	WATTAGE	DELIVERED LUMENS	COLOR TEMP.
-LMR11-LED-4W-F*	4	175	2900K

* = standard light source option

1/2" NPT MOUNTING OPTIONS (SOLD SEPARATELY):

STAKE-P3 – Giant Slotted 14" Plastic Ground Stake
PERMAPOST – Heavy Duty Stake with Brass Locking Nut & Stabilizing Fins
RMB – Brass Round Mounting Base
RISER6 – 6" Fixed Riser, Aged Brass
RISER12 – 12" Fixed Riser, Aged Brass
RISER18 – 18" Fixed Riser, Aged Brass

MR11 LAMP ACCESSORIES:

HEXLOUVER-MR11 – Black aluminum honeycomb used to reduce glare.
MR11-FROSTED – Flat frosted glass lens used to diffuse light output.



HOW TO SPECIFY: Example: BL50-LED

BASE PART #	FINISH	LAMP	ORDERING NUMBER	ORDER ACCESSORIES
BL50	Aged Brass (Standard)	Add Lamp Suffix	BL50-LED	Mounting Risers Lenses