

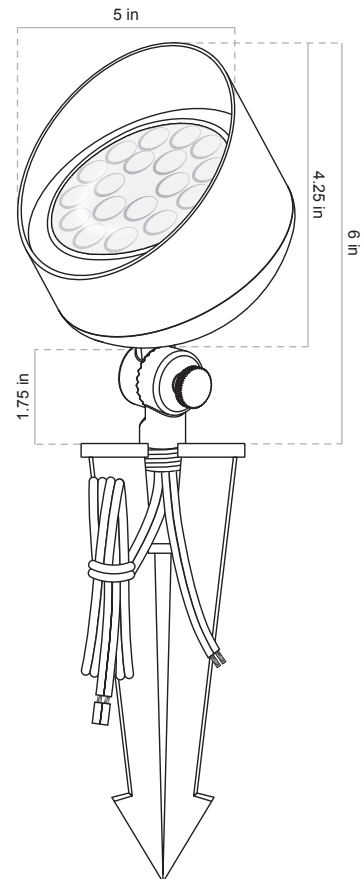
**MODEL: BL395-LED | INTEGRATED LED ACCENT / UPLIGHT**

Large sized high lumen output solid brass accent/uplight with integrated LED. Includes frosted lens. Adjustable knuckle is locked with thumbscrew. Ground stake mounting is provided standard. Dual wire leads are factory-installed. Ideal for up lighting tall trees, structures and buildings while being mounted in a planter area. Not intended for downlighting or to be installed in turf areas or areas where there is foot traffic.

<p><b>CONSTRUCTION:</b> Die-Casted solid brass housing, shroud and knuckle. CNC brass thumbscrew. 1/2" NPT threading from knuckle to mount.</p>	<p><b>LIGHT SOURCE:</b> Integrated LED module pre-connected to the wire lead.</p>
<p><b>FINISH:</b> Classic aged brass.</p>	<p><b>WIRING:</b> Pre-Installed dual 16AWG wire leads, primary 25' wire lead, and optional 18" wire lead for daisy chaining to other fixtures. Brown wire.</p>
<p><b>SHROUD:</b> Angled shroud twists and locks onto the housing, pressure locked with o-ring seal.</p>	<p><b>WARRANTY:</b> 10 year warranty on LED components and fixture housing.</p>
<p><b>KNUCKLE:</b> Solid brass with brass thumbscrew for angle adjustments.</p>	<p><b>CERTIFICATIONS:</b> Complies with the requirements of UL-1838 and CAN/CSA-C22.2 No. 250.7. Identified with the ETL &amp; cETL Listed Mark.</p>
<p><b>MOUNTING:</b> Pre-installed large 8.5" plastic ground stake (STAKE-P2). Slotted for easy removal without having to cut the wire lead.</p>	

**DIMENSIONS:**

- Height from top of stake to tip of shroud \_\_\_\_\_ 6 inches
- Height from top of stake to top of knuckle \_\_\_\_\_ 1.75 inches
- Height from top of knuckle to tip of shroud \_\_\_\_\_ 4.25 inches
- Shroud Width \_\_\_\_\_ 5 inches
- Ship Weight \_\_\_\_\_ 4.79 pounds



**FINISH OPTIONS:**

Aged Brass (Standard)
-----------------------

**INTEGRATED LED MODULE DETAILS:**

<b>LUMENS:</b> 1200
<b>WATTS:</b> 11W
<b>COLOR:</b> Warm White
<b>COLOR TEMPERATURE:</b> 3000K
<b>OPERATING VOLTAGE:</b> 10 VAC - 14 VAC
<b>BEAM SPREAD:</b> 40°
<b>CRI:</b> Ra>80
<b>RATED HOURS:</b> 30,000 Hours
<b>AMBIENT OPERATING TEMPERATURE:</b> ~40°C ~ +85°C
<b>DIMMING:</b> None

**1/2" NPT MOUNTING OPTIONS (SOLD SEPARATELY):**

<b>STAKE-P3</b> – Giant Slotted 14" Plastic Ground Stake
<b>PERMAPOST</b> – Heavy Duty Stake with Brass Locking Nut & Stabilizing Fins
<b>RMB</b> – Brass Round Mounting Base
<b>RISER6</b> – 6" Fixed Riser, Aged Brass
<b>RISER12</b> – 12" Fixed Riser, Aged Brass
<b>RISER18</b> – 18" Fixed Riser, Aged Brass

**HOW TO SPECIFY:** *Example: BL395-LED*

BASE PART #	FINISH	ORDERING #	ORDER ACCESSORIES
BL395-LED	Aged Brass (Standard)	BL395-LED	Mounting Risers

