

MODEL: **ML35-LED** | INTEGRATED LED MINI LIGHT

A discreet integrated LED fixture for fences, deck posts, wood retaining walls and other perimeter lighting applications. Casts light downward onto paved surfaces while also grazing the wall surface.

CONSTRUCTION: Solid brass body.

FINISH: Classic aged brass or modern premium black overcoat.

LENS: Frosted polycarbonate lens installed.

MOUNTING: Wall plate, fixture attached with allen screws.

WIRING: 10' wire lead, 16 AWG (UL Listed) pre-connected to the fixture, pre-stripped for easy wire connection. Brown wire with aged brass finish, black wire with black overcoat.

WARRANTY: 10 year warranty on LED components and fixture housing.

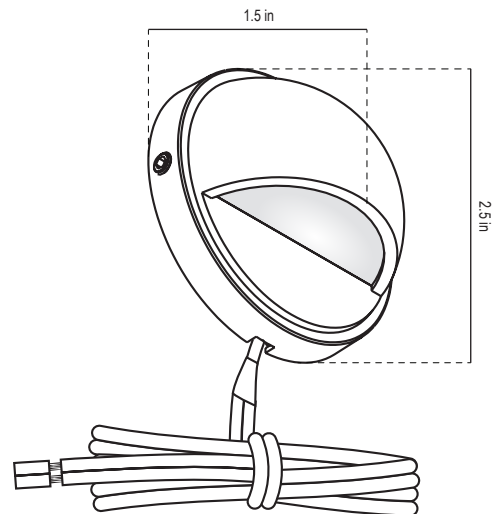
CERTIFICATIONS: Complies with the requirements of UL-1838 and CAN/CSA-C22.2 No. 250.7. Identified with the ETL & cETL Listed Mark.

DIMENSIONS:

Fixture Diameter _____ 2.5 inches

Fixture Depth _____ 1.5 inches

Ship Weight _____ 0.88 pounds



FINISH OPTIONS:

Aged Brass (Standard)
Premium Black Overcoat (Add -BLK)

INTEGRATED LED MODULE DETAILS:

WATTS: 1.3W
COLOR: Soft White
COLOR TEMPERATURE: 2900K
OPERATING VOLTAGE: 10 VAC - 15 VAC
CRI: Ra>80
RATED HOURS: 30,000 Hours
AMBIENT OPERATING TEMPERATURE: ~40°C ~ +85°C
DIMMING: None



HOW TO SPECIFY: *Example: ML35-LED-BLK*

BASE PART #	FINISH	SUFFIX	ORDERING #
ML35-LED	Aged Brass (Standard)		ML35-LED
	Premium Black Overcoat	-BLK	ML35-LED-BLK