

MODEL: CGWL02 | PAR36 COMMERCIAL GRADE WELL LIGHT

In-ground light with heavy duty brass lid and convex glass lens. Brass lid is secured to ABS can with small locking screw. Angle adjustments are made with included retainer ring. Dual wire leads are pre-installed. Ideal for up lighting walls, columns, and walk ways. Installing in areas with high foot traffic is acceptable.

CONSTRUCTION: ABS composite can is flat on open end and angled on ground end for angle adjustments.

WARRANTY: Lifetime warranty on fixture housing.

FINISH: Classic aged brass or modern premium black overcoat.

CERTIFICATIONS: Complies with the requirements of UL-1838 and CAN/CSA-C22.2 No. 250.7. Identified with the ETL & cETL Listed Mark.

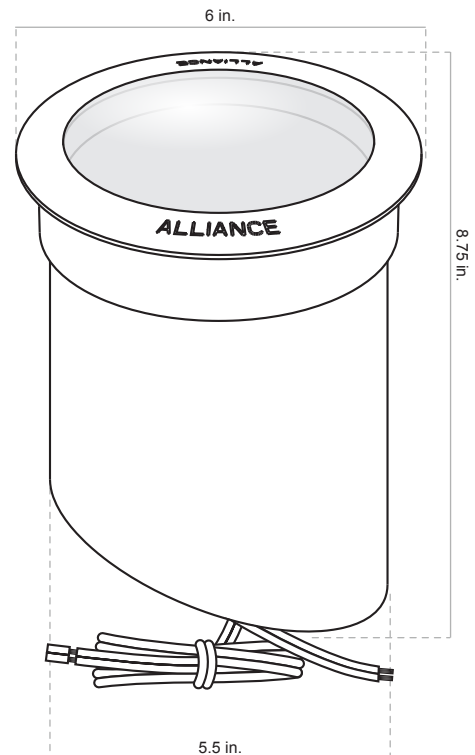
LID: Heavy duty brass lid, convex tempered glass lens.

SOCKET: Spade connectors for PAR36 lamps.

WIRING: Pre-Installed dual 16AWG wire leads, primary 25' wire lead, and optional 18" wire lead for daisy chaining to other fixtures. Brown wire with aged brass finish, black wire with black overcoat finish.

DIMENSIONS:

- Lid Diameter _____ 6 inches
- Buried Fixture Height _____ 8.75 inches
- Can Diameter _____ 5.5 inches
- Ship Weight _____ 4.83 pounds



FINISH OPTIONS:

Aged Brass (Standard)
Premium Black Overcoat (Add <i>-BLK</i>)

PAR36 BIPIN LAMP OPTIONS:

ADD SUFFIX	WATTAGE	DELIVERED LUMENS	COLOR TEMP.
-LPAR36-LED-4W-F	4	250	2800K
-LPAR36-LED-4W-WF	4	250	2800K
-LPAR36-LED-8W-F	8	300	2800K
-LPAR36-LED-8W-WF*	8	300	2800K
-LPAR36-LED-10W-F	10	400	2800K
-LPAR36-LED-10W-WF	10	400	2800K
-LPAR36-LED750lm	10	750	2800K

*= standard light source option

PAR36 LAMP ACCESSORIES (SOLD SEPARATELY):

HEXLOUVER-PAR36 – Black aluminum honeycomb used to reduce glare.

HOW TO SPECIFY: Example: *CGWL02-BLK-LED*

FINISH	SUFFIX	ORDERING NUMBER	LAMP	ORDERING NUMBER	ORDER ACCESSORIES
Aged Brass (Standard)		CGWL02	Add Lamp Suffix	CGWL02-LED	Hex Louver
Premium Black Overcoat	-BLK	CGWL02-BLK		CGWL02-BLK-LED	

