

**MODEL: BL300 | PAR36 ACCENT / UPLIGHT**

Large sized solid brass accent/uplight that uses a 12-volt PAR36 lamp. Brass shroud is open to allow the lamp to protrude past the opening. Adjustable knuckle is locked with thumbscrew. Ground stake mounting is provided standard. Dual wire leads are factory-installed. Lamp purchased separately. Ideal for up lighting larger trees, structures and walls. Intended for mounting in planting beds. Not intended for downlighting or to be installed in turf areas or areas where there is foot traffic.

**CONSTRUCTION:** Die-Casted solid brass housing, shroud and knuckle. CNC brass thumbscrew. 1/2" NPT threading from knuckle to mount.

**FINISH:** Classic aged brass or modern premium black overcoat.

**SHROUD:** Angled shroud twists and locks onto the housing, pressure locked with o-ring seal.

**KNUCKLE:** Solid brass with brass thumbscrew for angle adjustments.

**MOUNTING:** Pre-installed large 8.5" plastic ground stake (STAKE-P2). Slotted for easy removal without having to cut the wire lead.

**WIRING:** Pre-Installed dual 16AWG wire leads, primary 25' wire lead, and optional 18" wire lead for daisy chaining to other fixtures. Brown wire with aged brass finish, black wire with black overcoat finish.

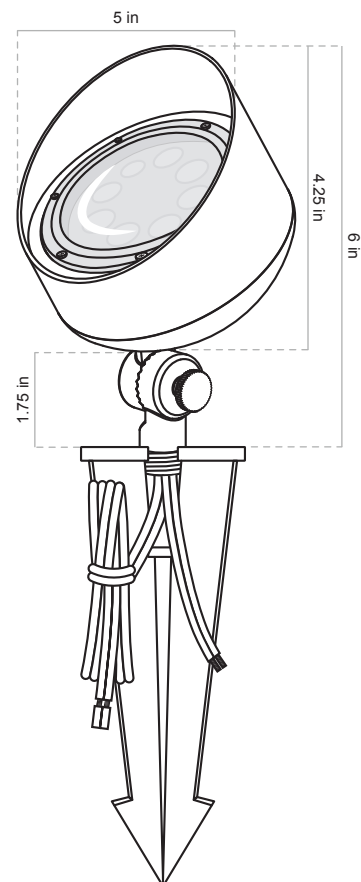
**SOCKET:** Spade connectors for PAR36 lamps.

**WARRANTY:** Lifetime warranty on fixture housing.

**CERTIFICATIONS:** Complies with the requirements of UL-1838 and CAN/CSA-C22.2 No. 250.7. Identified with the ETL & cETL Listed Mark.

**DIMENSIONS:**

- Height from top of stake to tip of shroud \_\_\_\_\_ 6 inches
- Height from top of stake to top of knuckle \_\_\_\_\_ 1.75 inches
- Height from top of knuckle to tip of shroud \_\_\_\_\_ 4.25 inches
- Shroud Width \_\_\_\_\_ 5 inches
- Ship Weight \_\_\_\_\_ 3.54 pounds



**FINISH OPTIONS:**

Aged Brass (Standard)
Premium Black Overcoat (Add <i>-BLK</i> )

**PAR36 LAMP OPTIONS:**

ADD SUFFIX	WATTAGE	DELIVERED LUMENS	COLOR TEMP.
-LPAR36-LED-4W-F	4	250	2800K
-LPAR36-LED-4W-WF	4	250	2800K
-LPAR36-LED-8W-F	8	300	2800K
-LPAR36-LED-8W-WF*	8	300	2800K
-LPAR36-LED-10W-F	10	400	2800K
-LPAR36-LED-10W-WF	10	400	2800K
-LPAR36-LED750lm	10	750	2800K

\* = standard light source option

**1/2" NPT MOUNTING OPTIONS (SOLD SEPARATELY):**

<b>STAKE-P3</b> – Giant Slotted 14" Plastic Ground Stake
<b>PERMAPOST</b> – Heavy Duty Stake with Brass Locking Nut & Stabilizing Fins
<b>RMB</b> – Brass Round Mounting Base
<b>RMB-BLK</b> – Black Overcoat Brass Round Mounting Base
<b>RISER6</b> – 6" Fixed Riser, Aged Brass
<b>RISER12</b> – 12" Fixed Riser, Aged Brass
<b>RISER18</b> – 18" Fixed Riser, Aged Brass
<b>RISER6-BLK</b> – 6" Fixed Riser, Premium Black
<b>RISER12-BLK</b> – 12" Fixed Riser, Premium Black
<b>RISER18-BLK</b> – 18" Fixed Riser, Premium Black

**PAR36 LAMP ACCESSORIES (SOLD SEPARATELY):**

<b>HEXLOUVER-PAR36</b> – Black aluminum honeycomb used to reduce glare.
<b>PAR36-FROSTED</b> – Flat frosted glass lens used to diffuse light output.

**HOW TO SPECIFY:** Example: *BL300-BLK-LED*

FINISH	SUFFIX	ORDERING NUMBER	LAMP	ORDERING NUMBER	ORDER ACCESSORIES
Aged Brass (Standard)		BL300	Add Lamp Suffix	BL300-LED	Mounting
Premium Black Overcoat	-BLK	BL300-BLK		BL300-BLK-LED	Risers

