

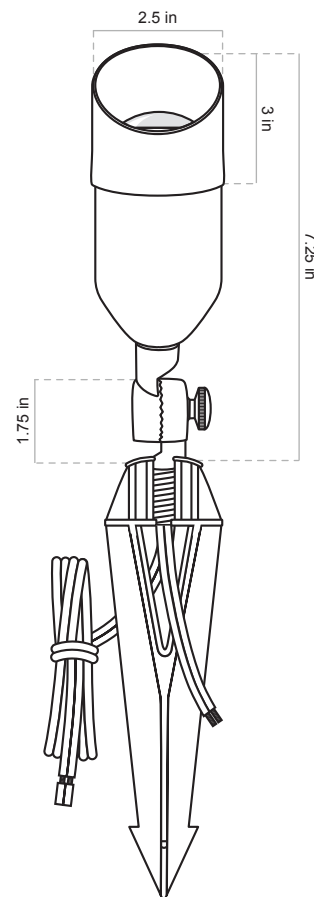
MODEL: BL200 | MR16 ACCENT / UPLIGHT

Workhorse, professional-grade accent/up light that uses an MR16 lamp. Includes adjustable shroud and convex glass lens. Adjustable knuckle is locked with thumbscrew. Ground stake mounting is provided standard. Dual wire leads are factory-installed. Lamp purchased separately. Ideal for up lighting medium to large trees, columns, and walls. Not intended to be used as a downlight or installed into turf areas with mower or foot traffic.

<p>CONSTRUCTION: Die-Casted solid brass housing, shroud and knuckle. CNC brass thumbscrew. 1/2" NPT threading from knuckle to mount.</p> <p>FINISH: Classic aged brass or modern premium black overcoat.</p> <p>SHROUD & LENS: Rotates 360° on the housing, pressure locked with dual o-ring seal. Convex tempered, shock-resistant glass lens that reduces calcification is siliconed to the shroud.</p> <p>KNUCKLE: Solid brass with brass thumbscrew for angle adjustments.</p> <p>MOUNTING: Pre-installed standard 8" plastic ground stake (STAKE-P1). Slotted for easy removal without having to cut the wire lead.</p>	<p>WIRING: Pre-Installed dual 16AWG wire leads, primary 25' wire lead, and optional 18" wire lead for daisy chaining to other fixtures. Brown wire with aged brass finish, black wire with black overcoat finish.</p> <p>SOCKET: MR16, spring-loaded, ceramic, dual contacts, & lamp clips.</p> <p>WARRANTY: Lifetime warranty on fixture housing.</p> <p>CERTIFICATIONS: Complies with the requirements of UL-1838 and CAN/CSA-C22.2 No. 250.7. Identified with the ETL & cETL Listed Mark.</p>
---	--

DIMENSIONS:

- Height from top of stake to tip of shroud _____ 7.25 inches
- Height from top of stake to top of knuckle _____ 1.75 inches
- Shroud Width _____ 2.5 inches
- Shroud Height _____ 3 inches
- Weight _____ 2.52 pounds



FINISH OPTIONS:

Aged Brass (Standard)
Premium Black Overcoat (Add <i>-BLK</i>)

MR16 LAMP OPTIONS:

ADD SUFFIX	WATTAGE	DELIVERED LUMENS	COLOR TEMP.
-LMR16-LED-4W-NS	4	250	2900K
-LMR16-LED-4W-F	4	250	2900K
-LMR16-LED-4W-WF	4	250	2900K
-LMR16-LED-4W-250lm	4	250	2900K
-LMR16-LED-4W-2700K	4	250	2700K
-LMR16-LED-5W-NS	5	310	2900K
-LMR16-LED-5W-F*	5	310	2900K
-LMR16-LED-5W-WF	5	310	2900K
-LMR16-LED-5W-310lm	5	310	2900K
-LMR16-LED-5W-2700K	5	310	2700K
-LMR16-LED-6W-F	6	410	2900K
-LMR16-LED-6W-2700K	6	410	2700K

*= standard light source option

1/2" NPT MOUNTING OPTIONS (SOLD SEPARATELY):

STAKE-P2 – Large Slotted 8.5" Plastic Ground Stake
PERMAPOST – Heavy Duty Stake with Brass Locking Nut & Stabilizing Fins
RMB – Brass Round Mounting Base
RMB-BLK – Black Overcoat Brass Round Mounting Base
RISER6 – 6" Fixed Riser, Aged Brass
RISER12 – 12" Fixed Riser, Aged Brass
RISER18 – 18" Fixed Riser, Aged Brass
RISER6-BLK – 6" Fixed Riser, Premium Black
RISER12-BLK – 12" Fixed Riser, Premium Black
RISER18-BLK – 18" Fixed Riser, Premium Black

MR16 LAMP ACCESSORIES:

HEXLouver-MR16 – Black aluminum honeycomb used to reduce glare.
MR16-FROSTED – Flat frosted glass lens used to diffuse light output.

HOW TO SPECIFY: Example: *BL200-BLK-LED4W*

FINISH	SUFFIX	ORDERING NUMBER	LAMP	ORDERING NUMBER	ORDER ACCESSORIES
Aged Brass (Standard)		BL200	Add Lamp Suffix	BL200-LED4W	Mounting
Premium Black Overcoat	-BLK	BL200-BLK		BL200-BLK-LED4W	Risers
					Lenses

