

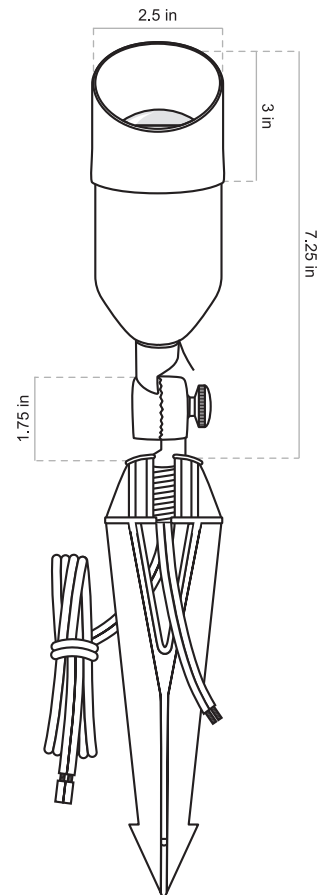
MODEL: BL200-BT | INTEGRATED BT ACCENT / UPLIGHT

Workhorse, professional-grade accent/uplight with integrated Bluetooth® RGBW LED module. Includes adjustable shroud and convex glass lens. Lighting module integrates with Alliance's bt System and is controlled with bt System mobile app. Adjustable knuckle is locked with thumbscrew. Ground stake mounting is provided standard. Dual wire leads are factory-installed. Lamp purchased separately. Ideal for up lighting medium to large trees, columns, and walls. Not intended to be used as a downlight or installed into turf areas with mower or foot traffic.

<p>CONSTRUCTION: Die-Casted solid brass housing, shroud and knuckle. CNC brass thumbscrew. 1/2" NPT threading from knuckle to mount.</p> <p>FINISH: Classic aged brass or modern premium black overcoat.</p> <p>SHROUD & LENS: Rotates 360° on the housing, pressure locked with dual o-ring seal. Convex tempered, shock-resistant glass lens that reduces calcification is siliconed to the shroud.</p> <p>KNUCKLE: Solid brass with brass thumbscrew for angle adjustments.</p> <p>MOUNTING: Pre-installed standard 8" plastic ground stake (STAKE-P1). Slotted for easy removal without having to cut the wire lead.</p>	<p>WIRING: Pre-Installed dual 16AWG wire leads, primary 25' wire lead, and optional 18" wire lead for daisy chaining to other fixtures. Brown wire with aged brass finish, black wire with black overcoat finish.</p> <p>LIGHT SOURCE: Integrated Bluetooth® LED module pre-connected to the wire lead.</p> <p>WARRANTY: 10 year warranty on LED components and fixture housing.</p> <p>CERTIFICATIONS: Complies with the requirements of UL-1838 and CAN/CSA-C22.2 No. 250.7. Identified with the ETL & cETL Listed Mark.</p>
---	--

DIMENSIONS:

- Height from top of stake to tip of shroud _____ 7.25 inches
- Height from top of stake to top of knuckle _____ 1.75 inches
- Shroud Width _____ 2.5 inches
- Shroud Height _____ 3 inches
- Weight _____ 2.52 pounds



FINISH OPTIONS:

Aged Brass (Standard)
Premium Black Overcoat (Add -BLK)

INTEGRATED RGBW LED BLUETOOTH® MODULE DETAILS:

WATTS: 2W - 4W
OPERATING VOLTAGE: 10 VAC - 14 VAC
LUMEN OUTPUT: 10lm - 430lm
BEAM SPREAD: 40°
CRI: Ra>80
CCT OPTIONS: 2700K, 3000K, 4000K
RGBW OPTIONS: Unlimited color wheel, quick preset options for red, green blue, amber, and purple.
DIMMING: 1% - 100% option available for all colors.

1/2" NPT MOUNTING OPTIONS (SOLD SEPARATELY):

STAKE-P2 – Large Slotted 8.5" Plastic Ground Stake
PERMAPOST – Heavy Duty Stake with Brass Locking Nut & Stabilizing Fins
RMB – Brass Round Mounting Base
RMB-BLK – Black Overcoat Brass Round Mounting Base
RISER6 – 6" Fixed Riser, Aged Brass
RISER12 – 12" Fixed Riser, Aged Brass
RISER18 – 18" Fixed Riser, Aged Brass
RISER6-BLK – 6" Fixed Riser, Premium Black
RISER12-BLK – 12" Fixed Riser, Premium Black
RISER18-BLK – 18" Fixed Riser, Premium Black

MR16 LAMP ACCESSORIES:

HEXLOUVER-MR16 – Black aluminum honeycomb used to reduce glare.
MR16-FROSTED – Flat frosted glass lens used to diffuse light output.

HOW TO SPECIFY: Example: BL200-BT-BLK

BASE PART #	FINISH	SUFFIX	ORDERING #	ORDER ACCESSORIES
BL200-BT	Aged Brass (Standard)		BL200-BT	Mounting
	Premium Black Overcoat	-BLK	BL200-BT-BLK	

