

**MODEL: BL110 | MR16 ACCENT / UPLIGHT**

Versatile, medium-sized solid brass accent/uplight that uses an MR16 lamp. Includes adjustable shroud for glare control and convex glass lens. Adjustable knuckle is locked with thumbscrew. Ground stake mounting is provided standard. Dual wire leads are factory-installed. Lamp purchased separately. Ideal for up accent and spot lighting trees, columns, and walls. Not intended to be used as a downlight or installed into turf areas with lawn-mower traffic or foot traffic.

**CONSTRUCTION:** Die-Casted solid brass housing, shroud and knuckle. CNC brass thumbscrew. 1/2" NPT threading from knuckle to mount.

**FINISH:** Classic aged brass or modern premium black overcoat.

**SHROUD & LENS:** Rotates 360° on the housing, pressure locked with dual o-ring seal. Convex tempered, shock-resistant glass lens that reduces calcification is siliconed to the shroud.

**KNUCKLE:** Solid brass with brass thumbscrew for angle adjustments.

**MOUNTING:** Pre-installed standard 8" plastic ground stake (STAKE-P1). Slotted for easy removal without having to cut the wire lead.

**WIRING:** Pre-Installed dual 16AWG wire leads, primary 25' wire lead, and optional 18" wire lead for daisy chaining to other fixtures. Brown wire with aged brass finish, black wire with black overcoat finish.

**SOCKET:** MR16, spring-loaded, ceramic, dual contacts, & lamp clips.

**WARRANTY:** Lifetime warranty on fixture housing.

**CERTIFICATIONS:** Complies with the requirements of UL-1838 and CAN/CSA-C22.2 No. 250.7. Identified with the ETL & cETL Listed Mark.

**DIMENSIONS:**

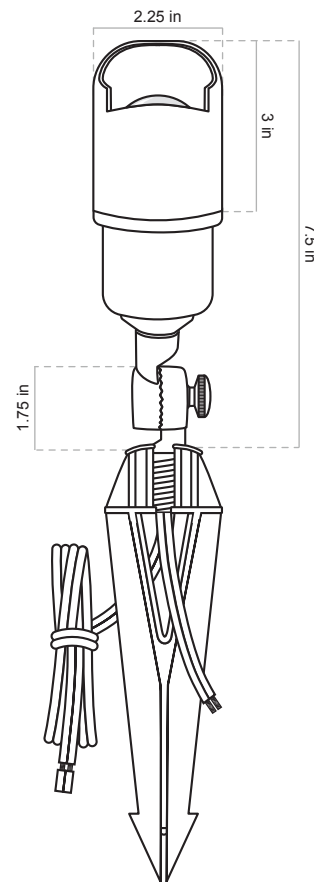
Height from top of stake to tip of shroud \_\_\_\_\_ 7.5 inches

Height from top of stake to top of knuckle \_\_\_\_\_ 1.75 inches

Shroud Width \_\_\_\_\_ 2.25 inches

Shroud Height \_\_\_\_\_ 3 inches

Ship Weight \_\_\_\_\_ 2.39 pounds



**FINISH OPTIONS:**

|   |
|---|
| Aged Brass (Standard)                     |
| Premium Black Overcoat (Add <i>-BLK</i> ) |

**MR16 LAMP OPTIONS:**

| ADD SUFFIX          | WATTAGE | DELIVERED LUMENS | COLOR TEMP. |
|---------------------|---------|------------------|-------------|
| -LMR16-LED-4W-NS    | 4       | 250              | 2900K       |
| -LMR16-LED-4W-F     | 4       | 250              | 2900K       |
| -LMR16-LED-4W-WF    | 4       | 250              | 2900K       |
| -LMR16-LED-4W-250lm | 4       | 250              | 2900K       |
| -LMR16-LED-4W-2700K | 4       | 250              | 2700K       |
| -LMR16-LED-5W-NS    | 5       | 310              | 2900K       |
| -LMR16-LED-5W-F*    | 5       | 310              | 2900K       |
| -LMR16-LED-5W-WF    | 5       | 310              | 2900K       |
| -LMR16-LED-5W-310lm | 5       | 310              | 2900K       |
| -LMR16-LED-5W-2700K | 5       | 310              | 2700K       |
| -LMR16-LED-6W-F     | 6       | 410              | 2900K       |
| -LMR16-LED-6W-2700K | 6       | 410              | 2700K       |

\*= standard light source option

**1/2" NPT MOUNTING OPTIONS (SOLD SEPARATELY):**

|   |
|---|
| <b>STAKE-P2</b> – Large Slotted 8.5" Plastic Ground Stake                     |
| <b>PERMAPOST</b> – Heavy Duty Stake with Brass Locking Nut & Stabilizing Fins |
| <b>RMB</b> – Brass Round Mounting Base  |
| <b>RMB-BLK</b> – Black Overcoat Brass Round Mounting Base                     |
| <b>RISER6</b> – 6" Fixed Riser, Aged Brass                                    |
| <b>RISER12</b> – 12" Fixed Riser, Aged Brass                                  |
| <b>RISER18</b> – 18" Fixed Riser, Aged Brass                                  |
| <b>RISER6-BLK</b> – 6" Fixed Riser, Premium Black                             |
| <b>RISER12-BLK</b> – 12" Fixed Riser, Premium Black                           |
| <b>RISER18-BLK</b> – 18" Fixed Riser, Premium Black                           |

**MR16 LAMP ACCESSORIES:**

|   |
|---|
| <b>HEXLouver-MR16</b> – Black aluminum honeycomb used to reduce glare.      |
| <b>MR16-FROSTED</b> – Flat frosted glass lens used to diffuse light output. |

**HOW TO SPECIFY:** Example: *BL110-BLK-LED4W*

| FINISH                 | SUFFIX | ORDERING NUMBER | LAMP            | ORDERING NUMBER | ORDER ACCESSORIES |
|------------------------|--------|-----------------|-----------------|-----------------|-------------------|
| Aged Brass (Standard)  |        | BL110           | Add Lamp Suffix | BL110-LED4W     | Mounting          |
| Premium Black Overcoat | -BLK   | BL110-BLK       |                 | BL110-BLK-LED4W | Risers            |
|                        |        |                 |                 |                 | Lenses            |

