

MODEL: UL100-BT | INTEGRATED BT UNDERWATER LIGHT

Integrated BT underwater light with BT antenna. Brass faceplate with clear tempered glass lens secure to the base with rubber gasket and 4 stainless steel screws. 25' underwater wire lead is factory-installed. Solid brass base is mounted to water feature floor, provides angle adjustments with polycarbonate thumbscrews. Ideal for lighting large water features, waterfalls, cascades or multi-tier fountains.

CONSTRUCTION: Die-cast solid brass housing, faceplate and mounting base.

FINISH: Classic aged brass.

FACEPLATE: Solid brass ring with a clear flat lens, rubber gasket and 4 stainless steel screws.

MOUNTING: Solid brass mounting base adjusts and secures housing using dual thumbscrews.

BT ANTENNA MOUNTING: Large 8" plastic ground stake (STAKE-P1) included. Slotted for easy removal without having to cut the wire lead.

WIRING: Pre-Installed black 25' SJOW underwater power and signal combination cable.

WARRANTY: 10 year warranty on LED components and fixture housing.

CERTIFICATIONS: Complies with the requirements of UL-1838 and CAN/CSA-C22.2 No. 250.7. Identified with the ETL & cETL Listed Mark.

DIMENSIONS:

Top Diameter _____ 3.25 inches

Base Width _____ 4.25 inches

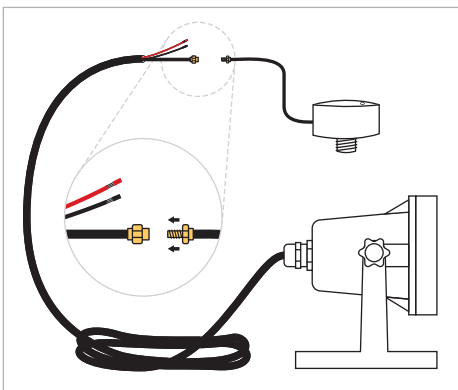
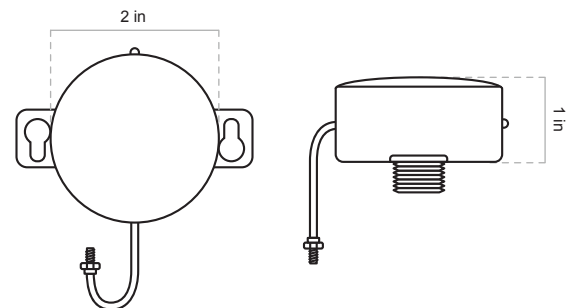
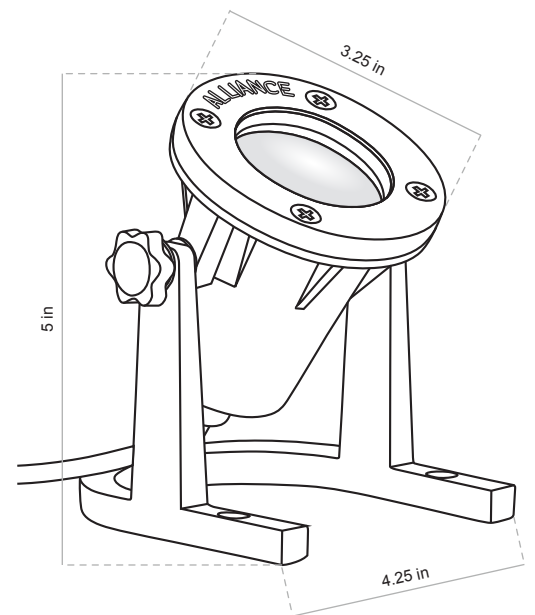
Fixture Height _____ 5 inches

BT Antenna Diameter _____ 2 inches

Ship Weight _____ 3.87 pounds

IMPORTANT NOTE:

The 25' waterproof wire lead that includes a male coaxial antenna wire. The antenna wire is used to connect to the included external antenna which is needed to provide signal to the fixture. Please DO NOT cut the wire lead, doing so will sever the antenna wire and the ability to connect to the UL100-BT through the bt app.



FINISH OPTIONS:

Aged Brass (Standard)

INTEGRATED RGBW LED BLUETOOTH® MODULE DETAILS:

WATTS: 2W - 4W

OPERATING VOLTAGE: 10 VAC - 14 VAC

LUMEN OUTPUT: 10lm - 430lm

BEAM SPREAD: 40°

CRI: Ra>80

CCT OPTIONS: 2700K, 3000K, 4000K

RGBW OPTIONS: Unlimited color wheel, quick preset options for red, green blue, amber, and purple

DIMMING: 1% - 100% option available for all colors.



OPTIONAL ACCESSORY (SOLD SEPARATELY):

UL100-BT-JXN – Junction box allows for (2) UL100-bt's to be connected to single external antenna.

HOW TO SPECIFY: Example: UL100-BT

BASE PART #	FINISH	SUFFIX	ORDERING #	ORDER ACCESSORIES
UL100-BT	Aged Brass (Standard)		UL100-BT	Junction Box