

MODEL: FL200 | MR16 FLOOD LIGHT

Large, wide format MR16 wall wash fixture provides an impressive flood of light. Die-cast brass housing adjusts to the ideal angle using the solid brass knuckle and thumbscrew. Solid brass faceplate is locked in place with 2 brass thumbscrews, comes pre-installed with a clear lens, optional frosted lens is included in the box. Large plastic slotted ground stake is provided. Dual wire lead is pre-connected to the ceramic socket with MR16 lamp holders. Ideal for washing large walls, entry signs and rock structures when used in a straight angle, point up to provide wide coverage in larger tree canopies. Not ideal in areas with lawn equipment traffic.

CONSTRUCTION: Solid cast brass body and faceplate. CNC brass thumbscrew. 1/2" NPT threading from stem to mount.

FINISH: Classic aged brass or modern premium black overcoat.

LENS: Clear, flat glass lens. Brass face plate with rubber gasket attached to fixture with 2 screws. Optional frosted lens provided.

SOCKET: MR16, spring-loaded, ceramic, dual contacts, & lamp clips.

MOUNTING: Pre-installed large 8.5" plastic ground stake (STAKE-P2). Slotted for easy removal without having to cut the wire lead.

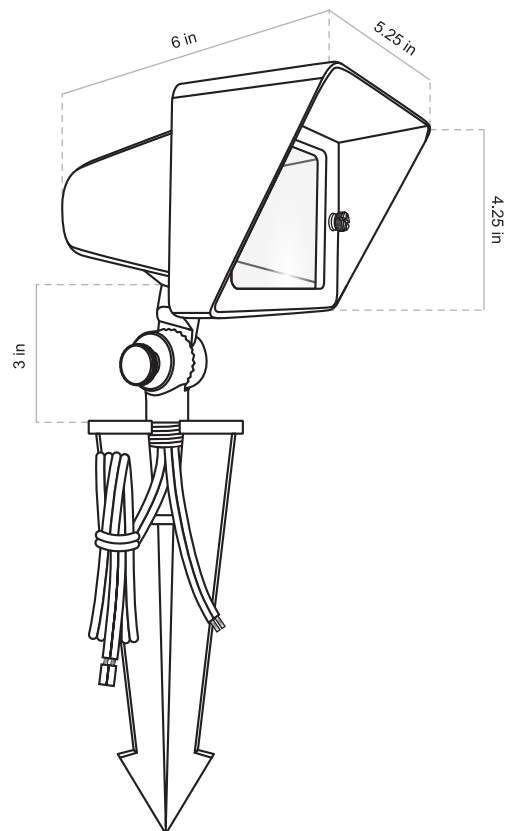
WIRING: Pre-Installed dual 16AWG wire leads, primary 25' wire lead, and optional 18" wire lead for daisy chaining to other fixtures. Brown wire with aged brass finish, black wire with black overcoat.

WARRANTY: Lifetime warranty on fixture housing.

CERTIFICATIONS: Complies with the requirements of UL-1838 and CAN/CSA-C22.2 No. 250.7. Identified with the ETL & cETL Listed Mark.

DIMENSIONS:

- Shroud Height _____ 4.25 inches
- Shroud Width _____ 5.25 inches
- Head Depth _____ 6 inches
- Top of Stake to Base of Fixture _____ 3 inches
- Ship Weight _____ 4.79 pounds



FINISH OPTIONS:

Aged Brass (Standard)
Premium Black Overcoat (Add -BLK)

MR16 LAMP OPTIONS:

ADD SUFFIX	WATTAGE	DELIVERED LUMENS	COLOR TEMP.
-LMR16-LED-4W-NS	4	250	2900K
-LMR16-LED-4W-F	4	250	2900K
-LMR16-LED-4W-WF	4	250	2900K
-LMR16-LED-4W-250lm	4	250	2900K
-LMR16-LED-4W-2700K	4	250	2700K
-LMR16-LED-5W-NS	5	310	2900K
-LMR16-LED-5W-F*	5	310	2900K
-LMR16-LED-5W-WF	5	310	2900K
-LMR16-LED-5W-310lm	5	310	2900K
-LMR16-LED-5W-2700K	5	310	2700K
-LMR16-LED-6W-F	6	410	2900K
-LMR16-LED-6W-2700K	6	410	2700K

* = standard light source option

1/2" NPT MOUNTING OPTIONS (SOLD SEPARATELY):

STAKE-P3 – Giant Slotted 14" Plastic Ground Stake
PERMAPOST – Heavy Duty Stake with Brass Locking Nut & Stabilizing Fins
RMB – Brass Round Mounting Base
RMB-BLK – Black Overcoat Brass Round Mounting Base
RISER6 – 6" Fixed Riser, Aged Brass
RISER12 – 12" Fixed Riser, Aged Brass
RISER18 – 18" Fixed Riser, Aged Brass
RISER6-BLK – 6" Fixed Riser, Premium Black
RISER12-BLK – 12" Fixed Riser, Premium Black
RISER18-BLK – 18" Fixed Riser, Premium Black

HOW TO SPECIFY: Example: FL200-BLK-LED

BASE PART #	FINISH	SUFFIX	ORDERING #	LAMP	ORDERING #	ORDER ACCESSORIES
FL200	Aged Brass (Standard)		FL200	Add Lamp Suffix	FL200-LED	Mounting
	Premium Black Overcoat	-BLK	FL200-BLK		FL200-BLK-LED	

