

**MODEL: FL200-BT | INTEGRATED BT FLOOD LIGHT**

Large, wide format Bluetooth® connected wall wash fixture provides an impressive flood of light. Die-cast brass housing adjusts to the ideal angle using the solid brass knuckle and thumbscrew. Solid brass faceplate is locked in place with 2 brass thumbscrews, comes pre-installed with a clear lens, optional frosted lens is included in the box. Large plastic slotted ground stake is provided. Dual wire lead is pre-connected to the bt module. Integrated module provides tunable white, rgb color changing and dimming capabilities. Ideal for washing large walls, entry signs and rock structures when used in a straight angle, point up to provide wide coverage in larger tree canopies. Not ideal in areas with lawn equipment traffic.

**CONSTRUCTION:** Solid cast brass body and faceplate. CNC brass thumbscrew. 1/2" NPT threading from stem to mount.

**FINISH:** Classic aged brass or modern premium black overcoat.

**LENS:** Frosted polycarbonate lens. Brass face plate with rubber gasket attached to fixture with 2 screws.

**LIGHT SOURCE:** Integrated Bluetooth® LED module pre-connected to the lead.

**MOUNTING:** Pre-installed large 8.5" plastic ground stake (STAKE-P2). Slotted for easy removal without having to cut the wire lead.

**WIRING:** Pre-Installed dual 16AWG wire leads, primary 25' wire lead, and optional 18" wire lead for daisy chaining to other fixtures. Brown wire with aged brass finish, black wire with black overcoat.

**WARRANTY:** 10 year warranty on LED components and fixture housing.

**CERTIFICATIONS:** Complies with the requirements of UL-1838 and CAN/CSA-C22.2 No. 250.7. Identified with the ETL & cETL Listed Mark.

**DIMENSIONS:**

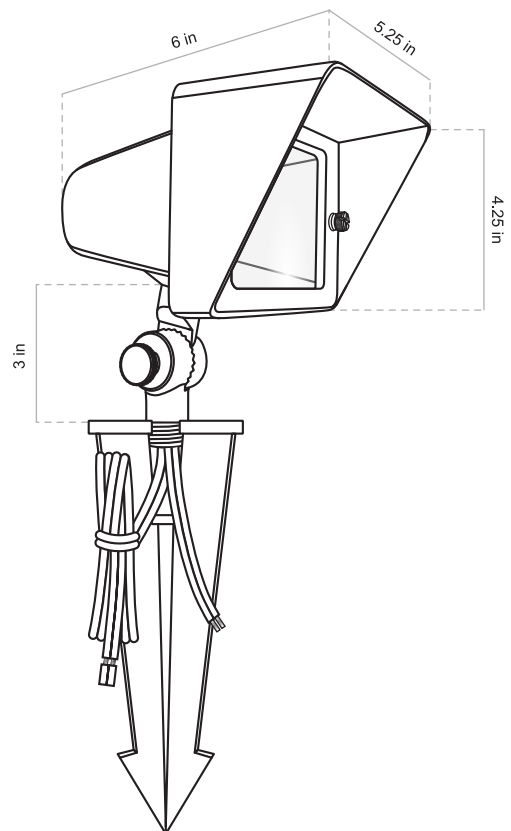
Shroud Height \_\_\_\_\_ 4.25 inches

Shroud Width \_\_\_\_\_ 5.25 inches

Head Depth \_\_\_\_\_ 6 inches

Top of Stake to Base of Fixture \_\_\_\_\_ 3 inches

Ship Weight \_\_\_\_\_ 5.18 pounds



**FINISH OPTIONS:**

|                                   |
|-----------------------------------|
| Aged Brass (Standard)             |
| Premium Black Overcoat (Add -BLK) |

**INTEGRATED RGBW LED BLUETOOTH® MODULE DETAILS:**

|  |
|--|
| <b>WATTS:</b> 4W - 11W   |
| <b>OPERATING VOLTAGE:</b> 10 VAC - 14 VAC  |
| <b>LUMEN OUTPUT:</b> 10lm - 900lm  |
| <b>BEAM SPREAD:</b> 120°   |
| <b>CRI:</b> Ra>80  |
| <b>CCT OPTIONS:</b> 2700K, 3000K, 4000K  |
| <b>RGBW OPTIONS:</b> Unlimited color wheel, quick preset options for red, green blue, amber, and purple. |
| <b>DIMMING:</b> 1% - 100% option available for all colors.   |

**1/2" NPT MOUNTING OPTIONS (SOLD SEPARATELY):**

|   |
|---|
| <b>STAKE-P3</b> – Giant Slotted 14" Plastic Ground Stake                      |
| <b>PERMAPOST</b> – Heavy Duty Stake with Brass Locking Nut & Stabilizing Fins |
| <b>RMB</b> – Brass Round Mounting Base  |
| <b>RMB-BLK</b> – Black Overcoat Brass Round Mounting Base                     |
| <b>RISER6</b> – 6" Fixed Riser, Aged Brass                                    |
| <b>RISER12</b> – 12" Fixed Riser, Aged Brass                                  |
| <b>RISER18</b> – 18" Fixed Riser, Aged Brass                                  |
| <b>RISER6-BLK</b> – 6" Fixed Riser, Premium Black                             |
| <b>RISER12-BLK</b> – 12" Fixed Riser, Premium Black                           |
| <b>RISER18-BLK</b> – 18" Fixed Riser, Premium Black                           |

**HOW TO SPECIFY:** Example: FL200-BT-BLK

| BASE PART # | FINISH                 | SUFFIX | ORDERING #   | ORDER ACCESSORIES |
|-------------|------------------------|--------|--------------|-------------------|
| FL200-BT    | Aged Brass (Standard)  |        | FL200-BT     | Mounting          |
|             | Premium Black Overcoat | -BLK   | FL200-BT-BLK |                   |

