

MODEL: UL395-LED | INTEGRATED LED UNDERWATER LIGHT

Large high lumen output underwater light with integrated LED. Brass faceplate with clear tempered glass lens secure to the base with rubber gasket and 6 stainless steel screws. 25' underwater wire lead is factory-installed. Solid brass base is mounted to water feature floor, provides angle adjustments with polycarbonate thumbscrews. Ideal for lighting large water features, waterfalls, cascades or multi-tier fountains.

CONSTRUCTION: Die-cast solid brass housing, faceplate and mounting base.

FINISH: Classic aged brass.

FACEPLATE: Solid brass ring with a clear flat lens, rubber gasket and 6 stainless steel screws.

MOUNTING: Solid brass mounting base adjusts and secures housing using dual thumbscrews.

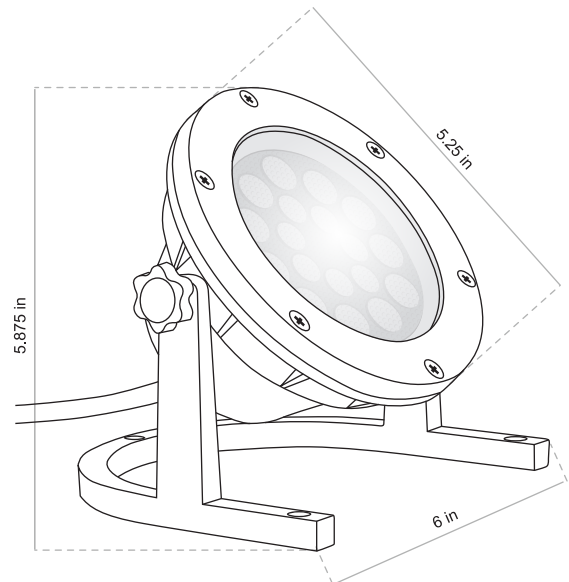
WIRING: Pre-Installed black 25' SJOW underwater wire lead.

WARRANTY: Ten year warranty.

CERTIFICATIONS: Complies with the requirements of UL-1838 and CAN/CSA-C22.2 No. 250.7. Identified with the ETL & cETL Listed Mark.

DIMENSIONS:

Top Diameter	_____	5.25 inches
Base Width	_____	6 inches
Fixture Height	_____	5.875 inches
Fixture Width	_____	6.875 inches
Ship Weight	_____	5.71 pounds



FINISH OPTIONS:

Aged Brass (Standard)

INTEGRATED LED MODULE DETAILS:

LUMENS: 1200
WATTS: 11W
COLOR: Warm White
COLOR TEMPERATURE: 3000K
OPERATING VOLTAGE: 10 VAC - 14 VAC
BEAM SPREAD: 40°
CRI: Ra>80
RATED HOURS: 30,000 Hours
AMBIENT OPERATING TEMPERATURE: ~40°C ~ +85°C
DIMMING: None



HOW TO SPECIFY: Example: UL395-LED

BASE PART #	FINISH	ORDERING #	ORDER ACCESSORIES
UL395-LED	Aged Brass (Standard)	UL395-LED	