

ALLIANCE

Specification Sheet

Project:

Type:

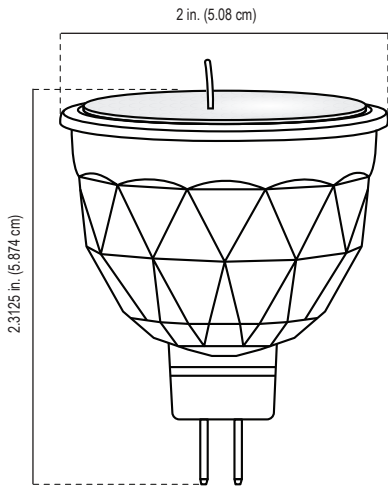
Model: bt-ALLY-MR16 (bt System Fixtures)

Category: Lamps

Lamp Diameter: 2 in. (5.08 cm)

Lamp Height: 2.3125 in. (5.874 cm)

Lamp Weight: 0.13 lbs (2.1 oz)



Product Description

Add the control capabilities of Alliance's BT System to existing lighting fixtures with BT Ally drop-in lamps. Like BT fixtures, these lamps offer RGB color adjustability, tunable white and dimming capability.

Specifications and Features

Body: White Aluminum

Antenna: External, 5 dB, 2.4 GHz

Socket: Bi-pin MR16 socket with dual contacts

Warranty: 10 year warranty

Wattage: 2w - 4w

Lumen Output: 10-430 lumens


Beam Spread: 40° flood

Operating Voltage Range: 10v - 14v

CRI: RA>80

Rated Hours: 30,000

Ambient Operating Temperature: <72°C

Works With: MR16 socket base lamps and Alliance  app

Compatible Wireless Applications: Bluetooth Mesh®

Installation:

Add the app-control capabilities of Alliance's bt System to existing lighting fixtures with bt ALLY drop-in lamps. Lamps are available to fit all standard fixture types.