

# ALLIANCE

## Specification Sheet

Project:

Type:

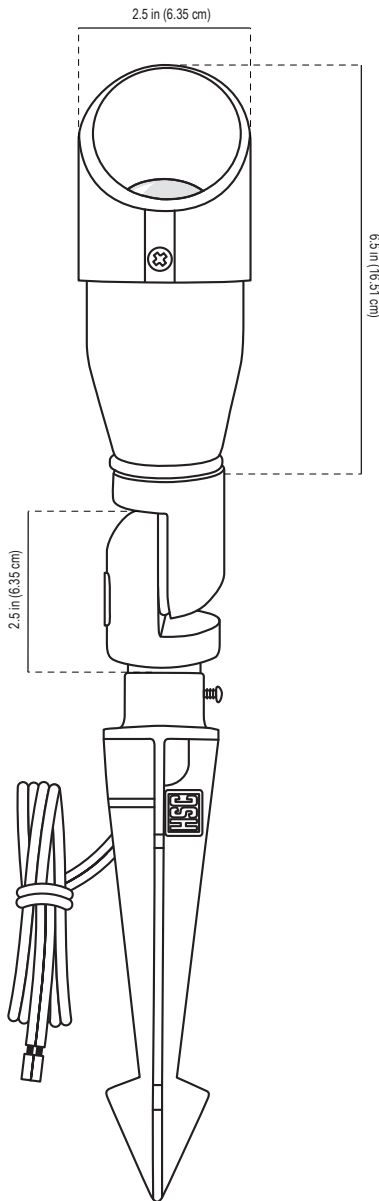
### Model: HSC-BL1

#### Category: Accent/Uplight

Fixture Height: 2.5 in. (6.35 cm)

Fixture Length: 6.5 in. (16.51 cm)

Fixture Width: 2.5 in. (6.35 cm)



#### Product Description

For applications where the client desires the chunky, thick appearance of a sand-cast bronze fixture, our HSC series is a superior choice.

#### Specifications and Features

**Body:** Sand-cast bronze, with solid bronze shroud

**Finish:** Natural bronze

**Knuckle:** Bronze, adjustable for precision aiming

**Socket:** Spring-loaded ceramic bi-pin MR16 socket with dual contacts and lamp clips

**Wire:** 25' 16AWG wire lead, black

**Stake:** Sand-cast bronze 8.5" slotted ground stake (standard)

**Warranty:** Lifetime warranty for all castings and housings

**Certifications:** Complies with the requirements of UL-1838 and CAN/CSA-C22.2 No. 250.7. Identified with the ETL and cETL Listed Mark.



#### Lamp Options

Model#	Base Type	Angle	Wattage	Lumen Output
LMR16-LED-4W-NS	MR16	15	4	250
LMR16-LED-4W-F	MR16	45	4	250
LMR16-LED-4W-WF	MR16	60	4	250
LMR16-LED-5W-NS	MR16	15	5	310
LMR16-LED-5W-F	MR16	45	5	310
LMR16-LED-5W-WF	MR16	60	5	310
LMR16-LED-6W-F	MR16	45	6	400

LED Ordering Guide: Model-Lamp Wattage-Lamp Angle

Example: HSC-BL1-LED-5W-F