

ALLIANCE

Specification Sheet

Project:

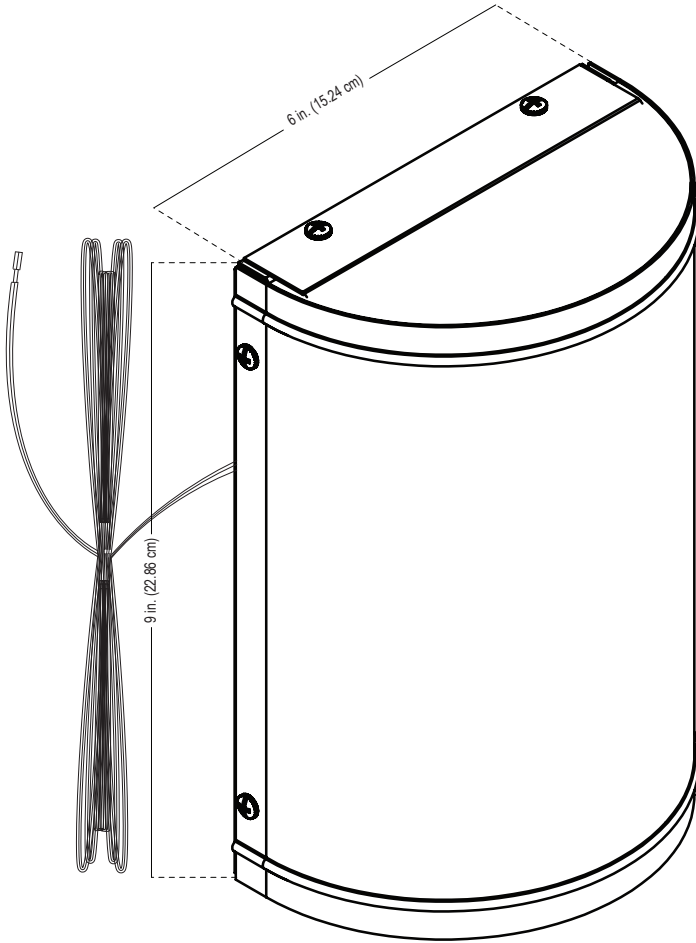
Type:

Model: WS200 (Wall Sconce)

Fixture Height: 9 in. (22.86 cm)

Fixture Width: 6 in. (15.24 cm)

Fixture Depth: 3.5 in. (8.89 cm)



Specifications and Features:

Body: Brass fixture, aged brass finish

Lens: Frosted top lens

Socket: Dual spring loaded ceramic bi-pin socket with dual contact and lamp clips

Wire: 25' Foot wire lead, 16 awg (UL listed), brown, Pre-connected to the fixture, Pre-stripped for easy wire connection

Hardware: Stainless steel mounting screws

Warranty: Lifetime warranty on fixture housing

Certifications: Complies with the requirements of UL-1838 and CAN/CSA-C22.2 No. 250.7. Identified with the ETL and cETL Listed Mark.



Lamp Options

Model #	Base Type	Wattage	Lumen Output
(Two) LBIPIN-LED-3W	BIPIN/G4	3w each	150lm each
(Two) LXEOGEN-20 (Halogen)	BIPIN/G4	20w each	150lm each

LED Ordering Guide: Model-LED

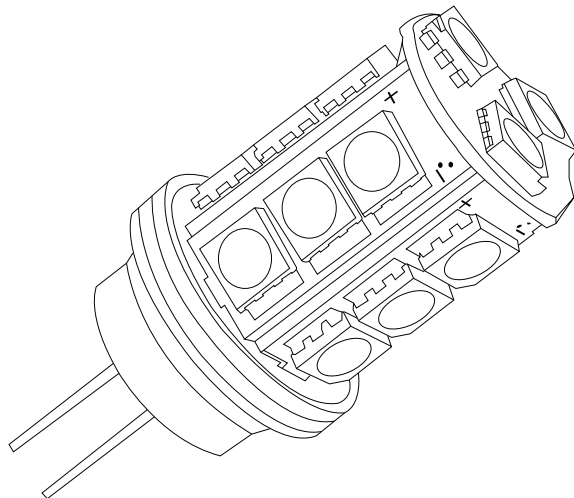
Example: WS200-LED

Notes:

Project:

Type:

Model: LBIPIN-LED-3W (3 watt BIPIN LED)



Specifications and Features:

Watts: 3

Base Type: G4/BiPin

Light Output: 150 lumens

Color: Warm White

Color Temperatures: 2700K

Operating Voltage: 8-24v

CRI: Ra>80

LED Chip Qty: 18 Pieces

Halogen Equivalent: 20w

Rated Hours: 50,000 hrs

Ambient Operating Temperature: <72°C

Transformer Compatibility: Must be powered by magnetic transformer

Warranty: Five year limited warranty on LED components

Lamp Color Options

Model #	Color	Color Temp.	Base Type	Wattage	Lumen Output
LBIPINLED-3W-3K	Bright White	3000K	BIPIN/G4	3w	150lm
LBIPIN-LED-3W-AMBER*	Amber	Amber	BIPIN/G4	3w	150lm

*Turtle Safe

Notes: